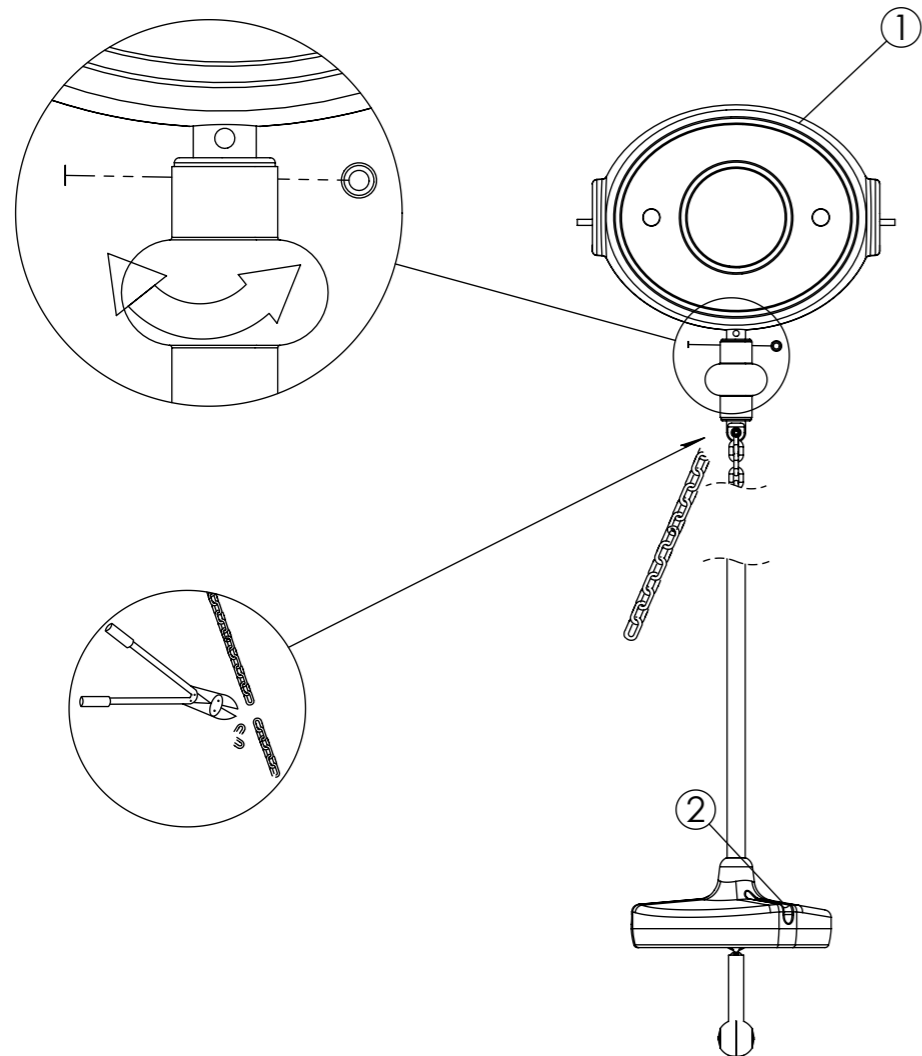
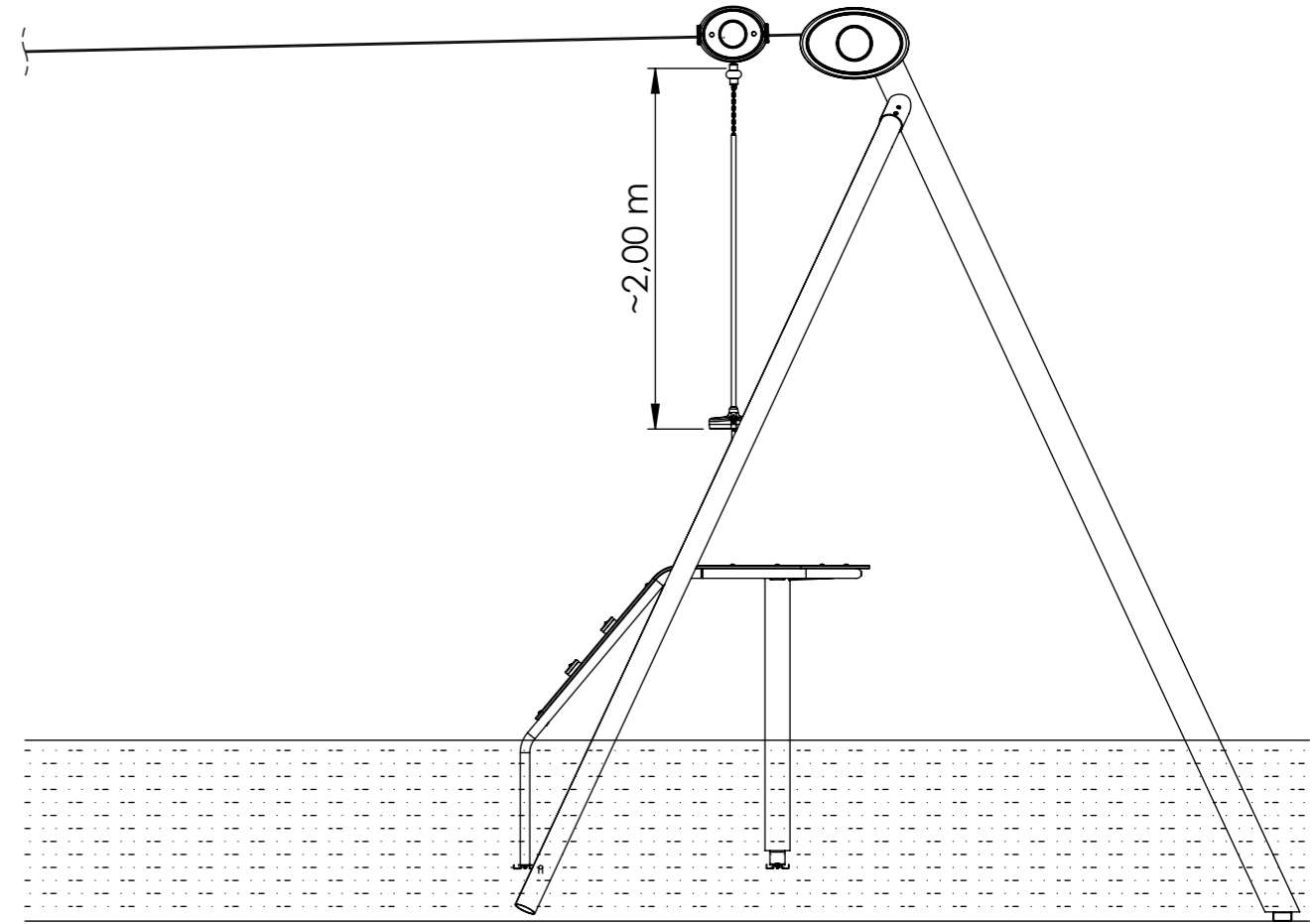
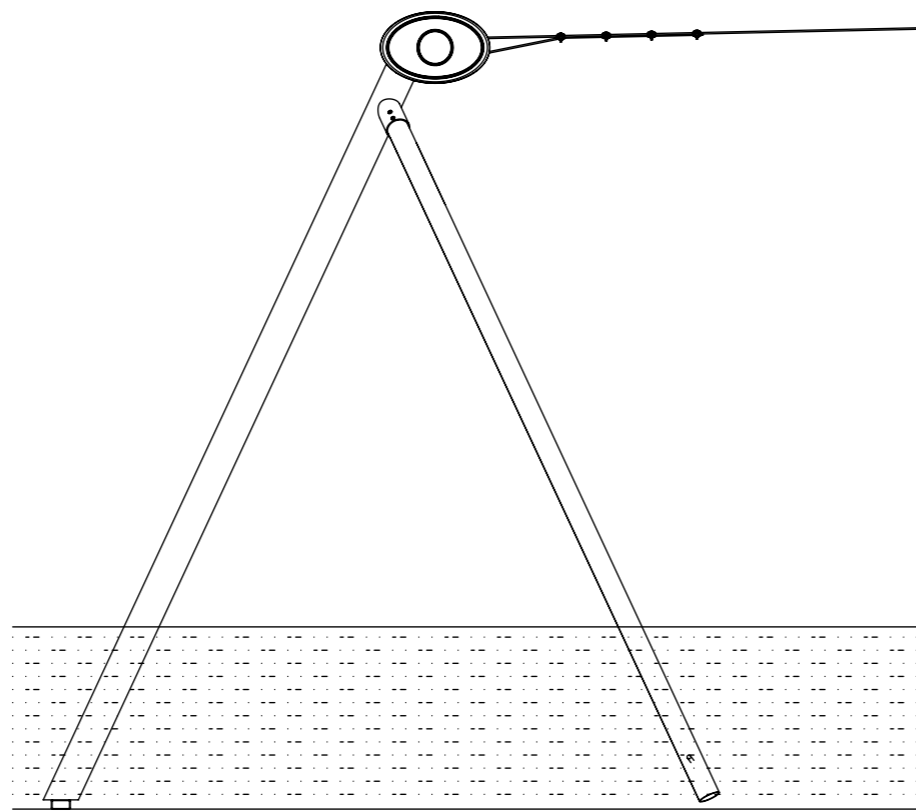
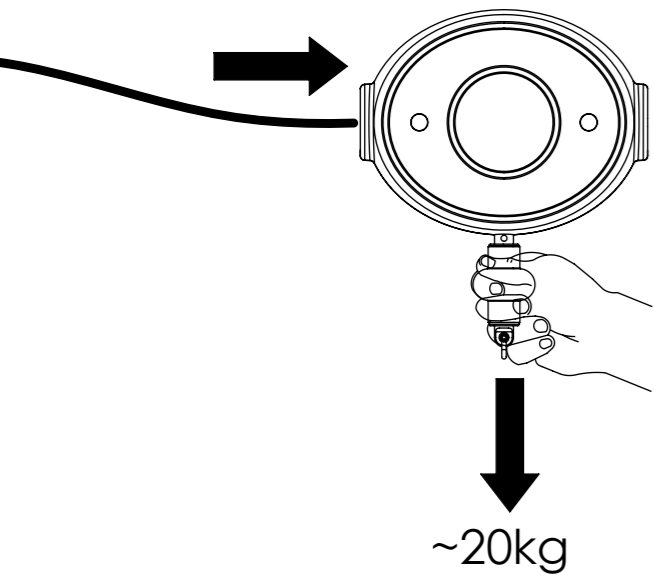


STEP 5





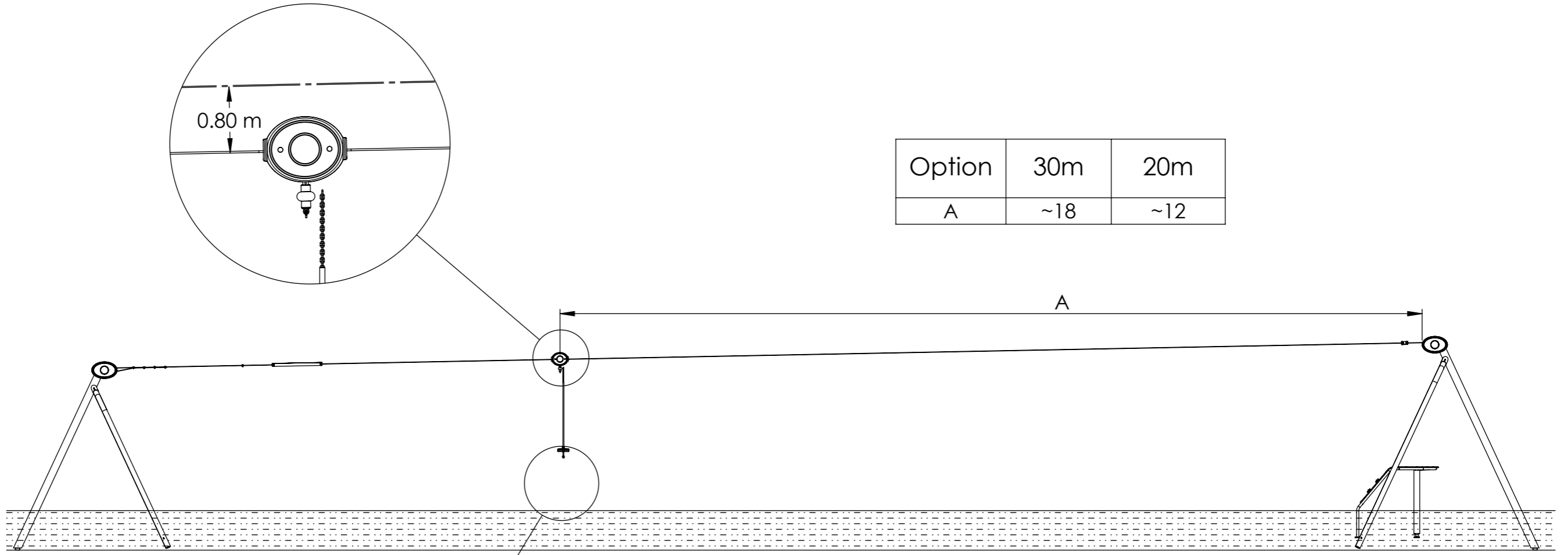
NR.	Description MA	Item Number	QTY.
1	Trolley	8035733	1
2	Cableway Seat	8036450	1

**HAGS** HAGS Aneby AB, Box 133, SE-578 23  
Aneby, Sweden, Tel: +46 380 473 00,  
<http://www.hags.com>

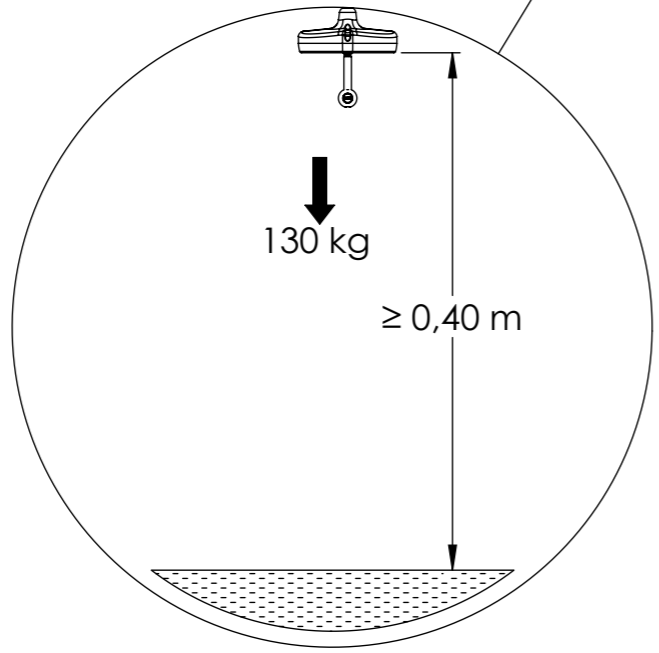
**Trolley**  
**MASW25209**

1 ( 2 )

  TB 2014-11-12 5



Option	30m	20m
A	~18	~12



<b>HAGS</b>	HAGS Aneby AB, Box 133, SE-578 23 Aneby, Sweden, Tel: +46 380 473 00, <a href="http://www.hags.com">http://www.hags.com</a>			
	<b>Trolley</b>			
<b>MASW25209</b>				
2 ( 2 )				
		TB	2014-11-12	5