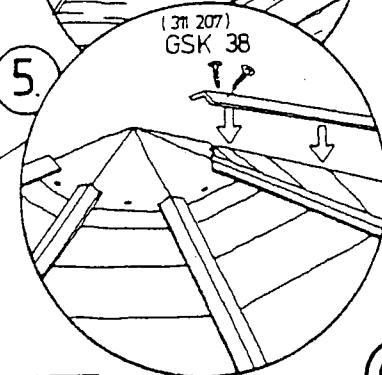
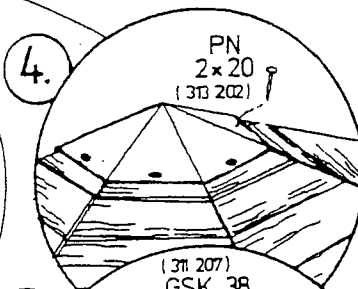
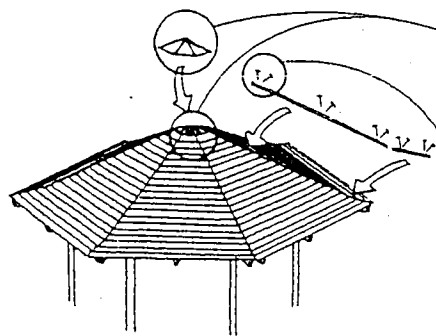
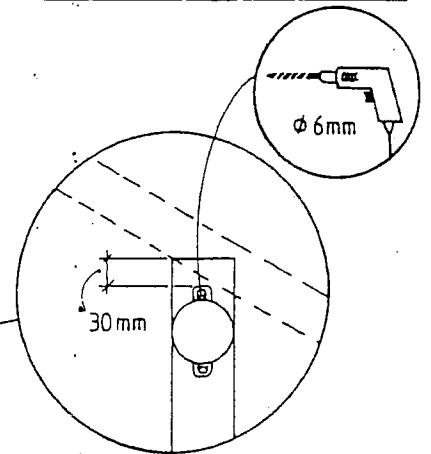
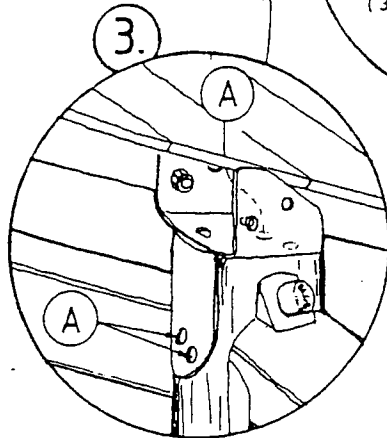
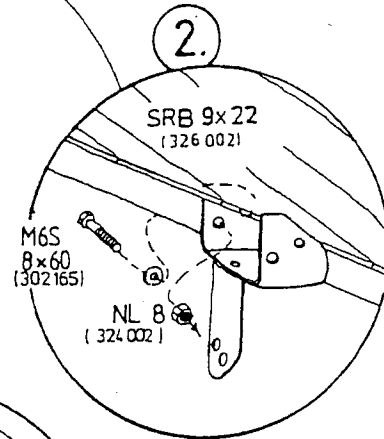
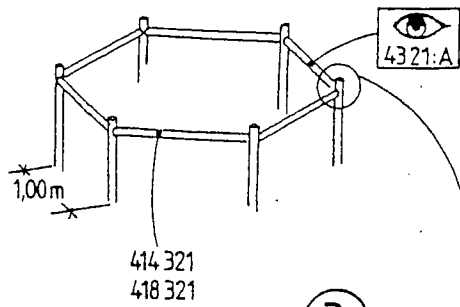
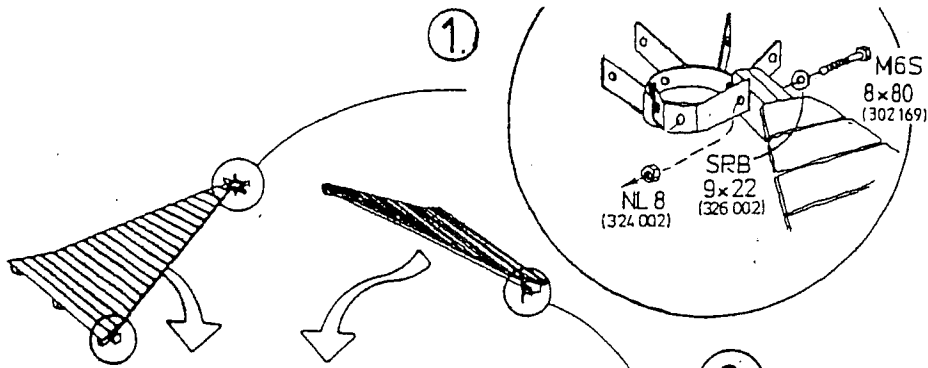



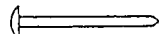


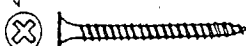
TYPE	HAGS NO
1,75 x 1,82m	412 534 416 534
1,42m	412 535 416 535
0,39 m	412 536 416 536
φ 0,62m	410 538

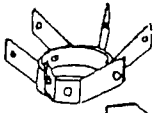


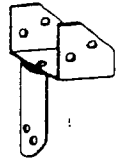
M6S 

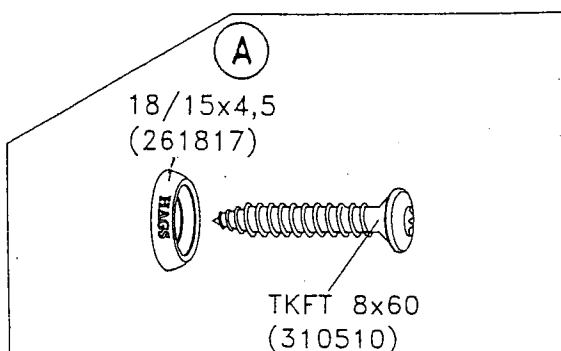
NL  SRB 

PN 

GSK 



HAGS NO 410 626 

HAGS 410 622 



HAGS ANEBY, SWEDEN
+46(0)380-47300
www.hags.com

4534
1(1)

 JOT  JG 060628 9