
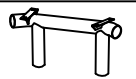



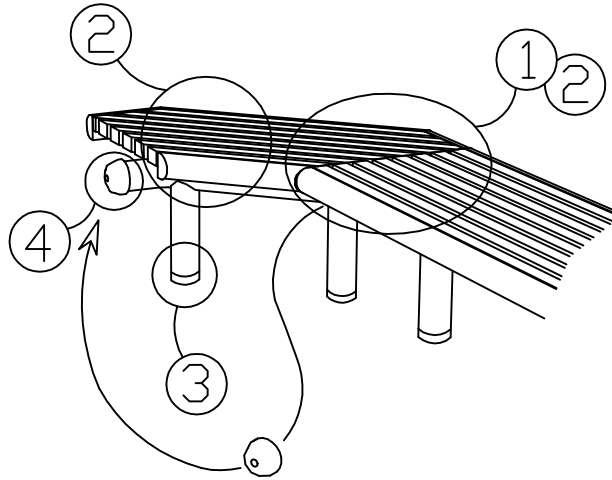
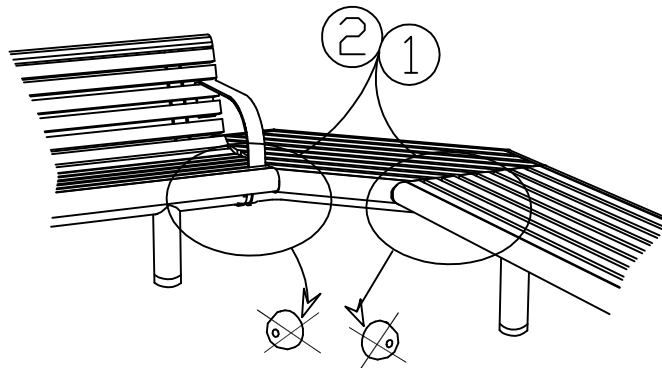


	177726	177729	177732	177733
	177818	177816	177816	177818
	528136	528130		
			528122	528123
	177802	177802		
	528144	528144	528144	528144

177726/729



177732/733



0,5h



Varje vecka
Every week
Jede woche
Chaque semaine



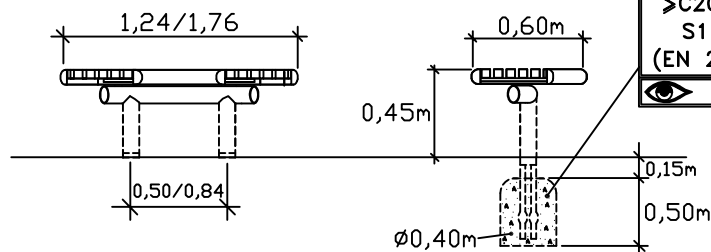
Varje säsong
Every season
Jedes Jahr
Chaque saison

HAGS

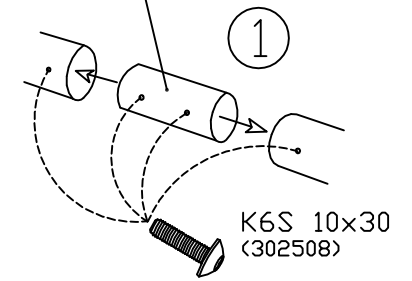
ANEBY, SWEDEN
+46(0)380-47300
www.hags.com

177729

Anki Jot 2003-04-10 3



528144



K6S 10x30
(302508)

2

NL 10
(324003)

K6S 10x30
(302508)

3

177802

177803

4

PLUG 14
(260395)

