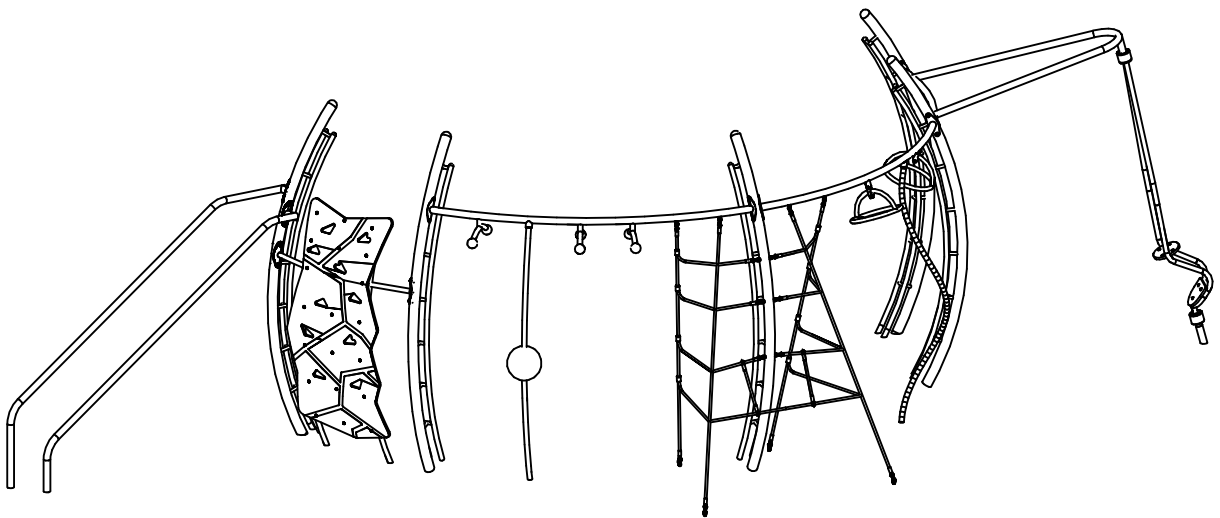


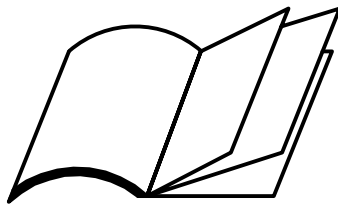
HAGS

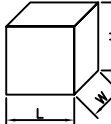
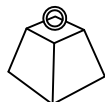

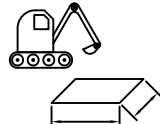
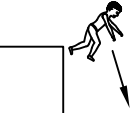

NEXUS

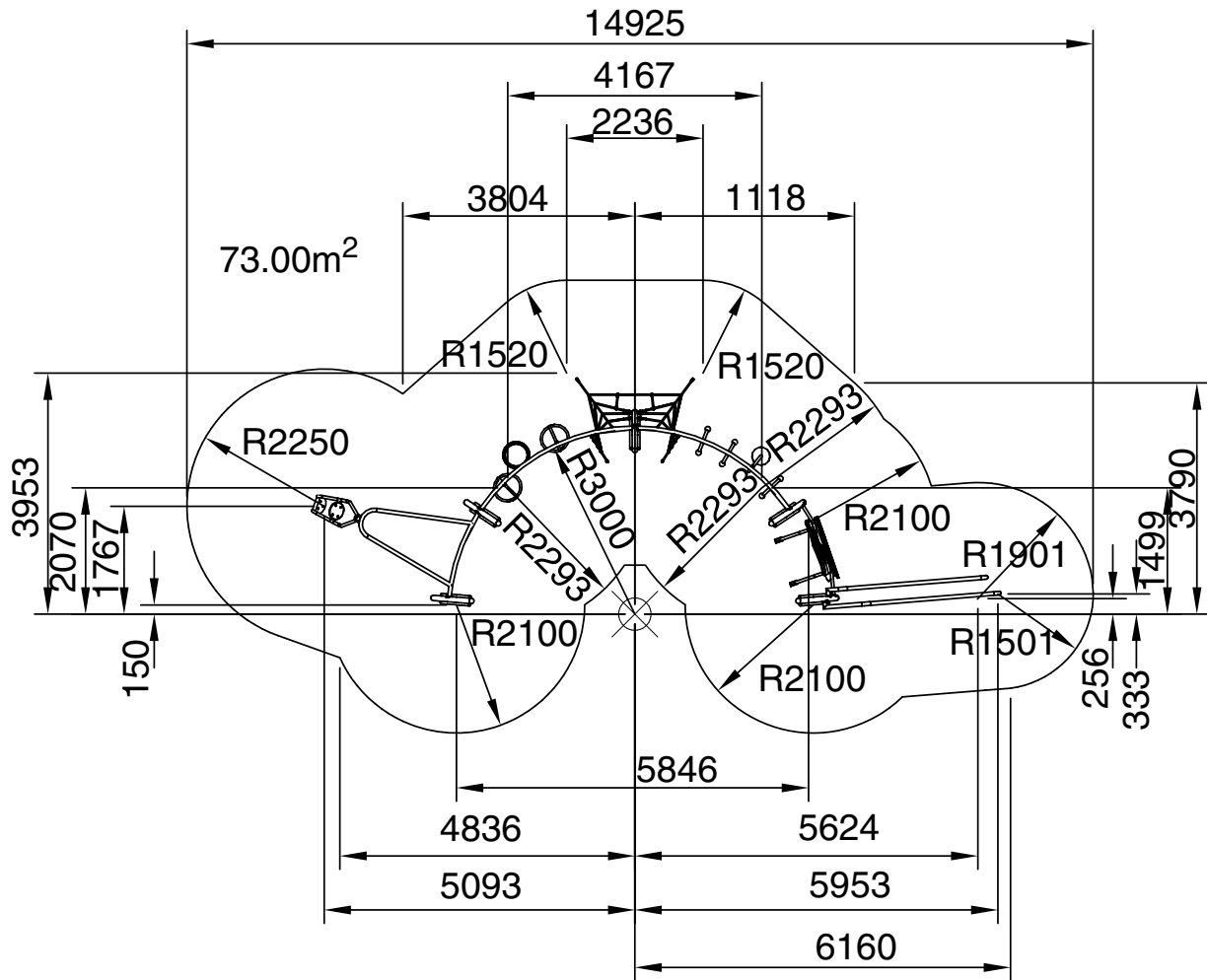
VELOCITY 5

NXVS5 NXVE5

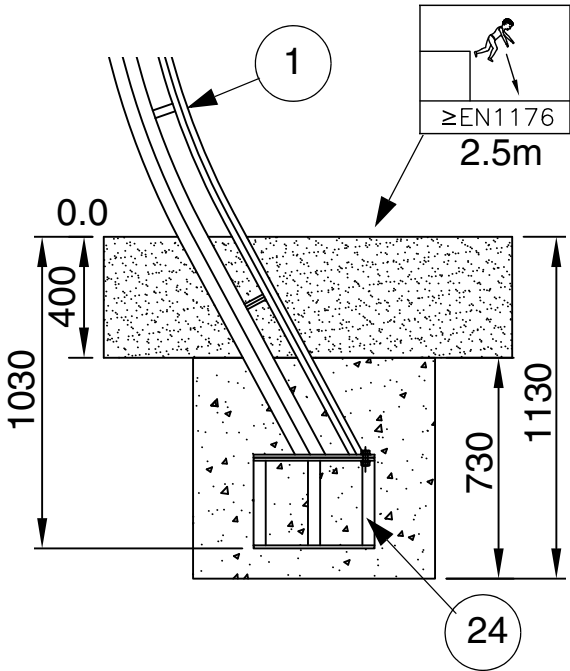




						
	LxWxH (m)	kg	m ³	m	≥EN1176	x 3= T
NXV*5	14.86 x 7.41 x 5	661	4.06	15.00 x 8.00	2.5m	T=60h

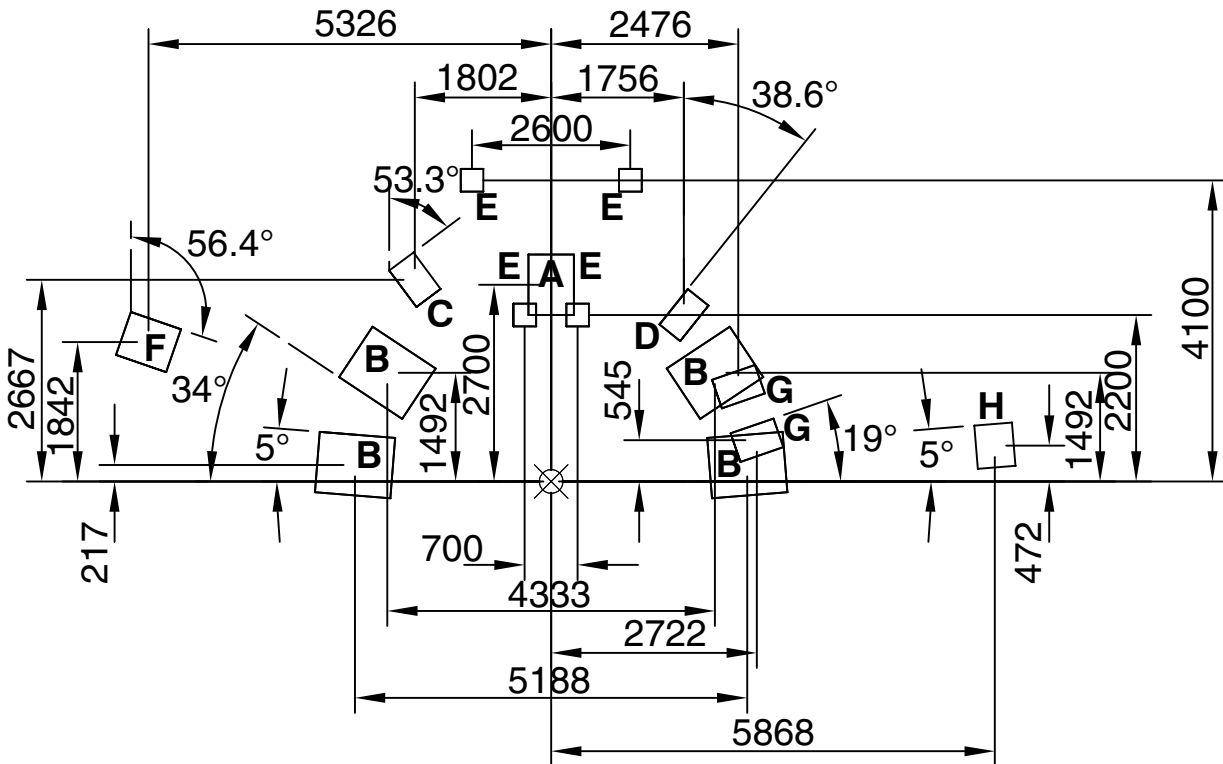


NXVE5

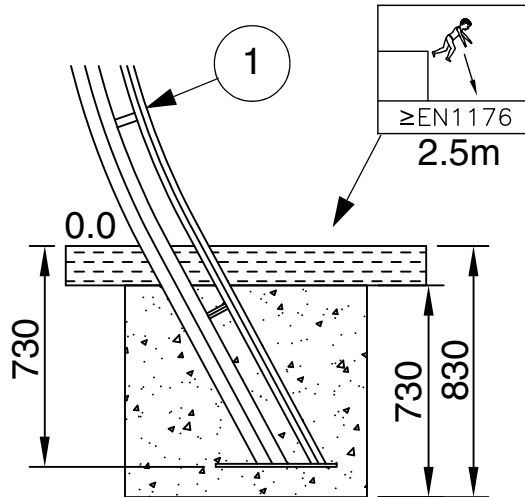


REF		L x W x D
'A'	m	0.80 x 0.60 x 1.13
'B'	m	1.00 x 0.80 x 1.13
'C'	m	0.40 x 0.60 x 0.90
'D'	m	0.35 x 0.60 x 0.90
'E'	m	0.30 x 0.30 x 0.73
'F'	m	0.70 x 0.60 x 1.065
'G'	m	0.40 x 0.60 x 0.90
'H'	m	0.50 x 0.58 x 0.90

TYPE 1/2  **101/144**

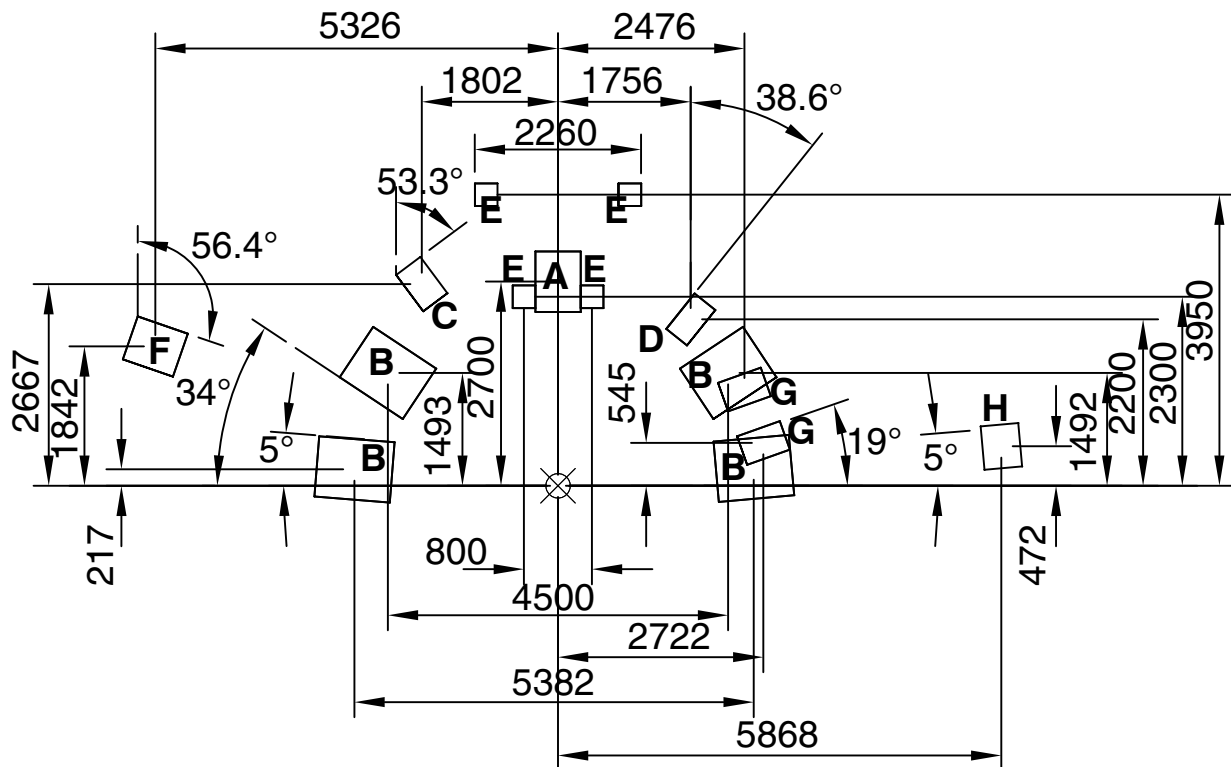


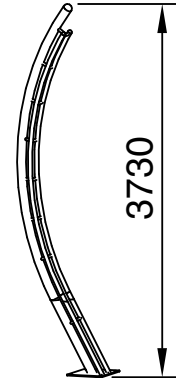
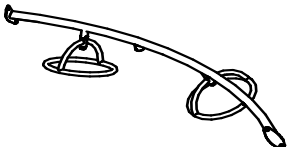
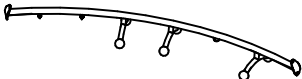
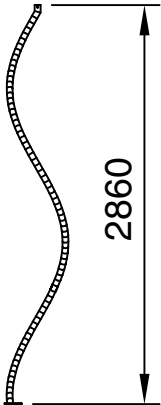
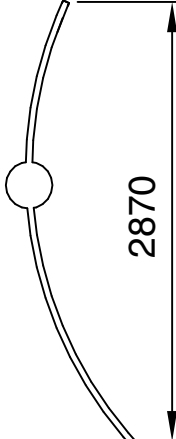
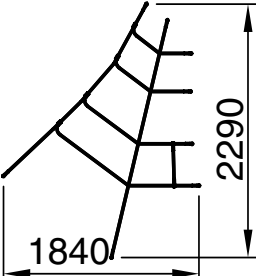
NXVS5

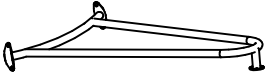
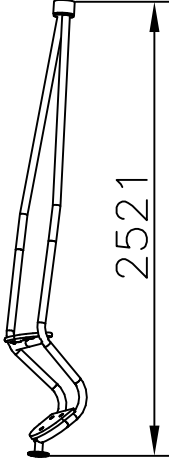
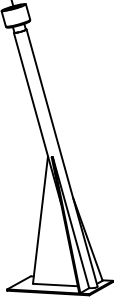
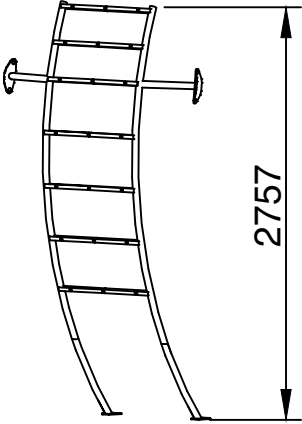
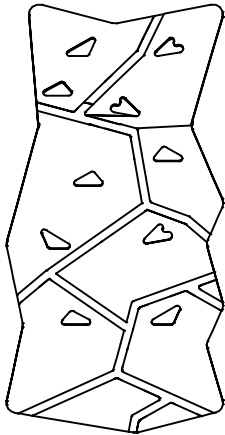


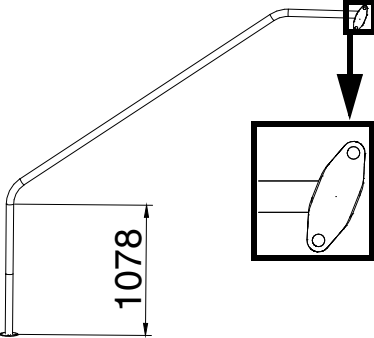
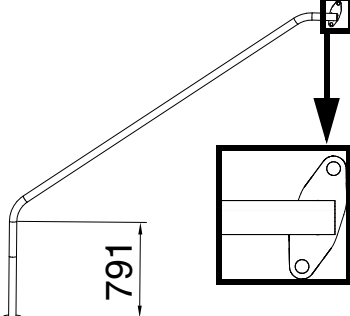
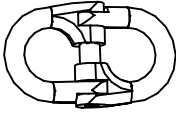
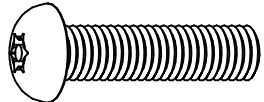
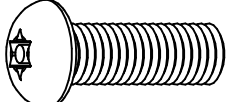
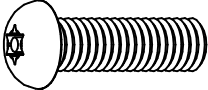
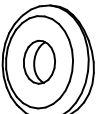
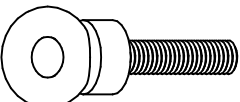
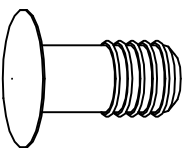
REF		L x W x D
'A'	m	0.80 x 0.60 x 0.83
'B'	m	1.00 x 0.80 x 0.83
'C'	m	0.40 x 0.60 x 0.60
'D'	m	0.35 x 0.60 x 0.60
'E'	m	0.30 x 0.30 x 0.43
'F'	m	0.70 x 0.60 x 1.065
'G'	m	0.40 x 0.60 x 0.90
'H'	m	0.50 x 0.58 x 0.90

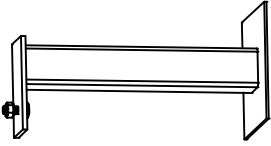
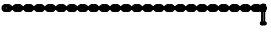
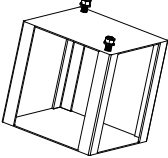
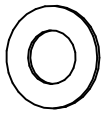
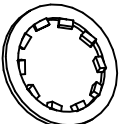
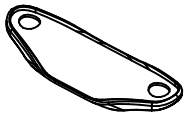
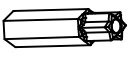
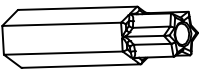
TYPE 3  **101/144**



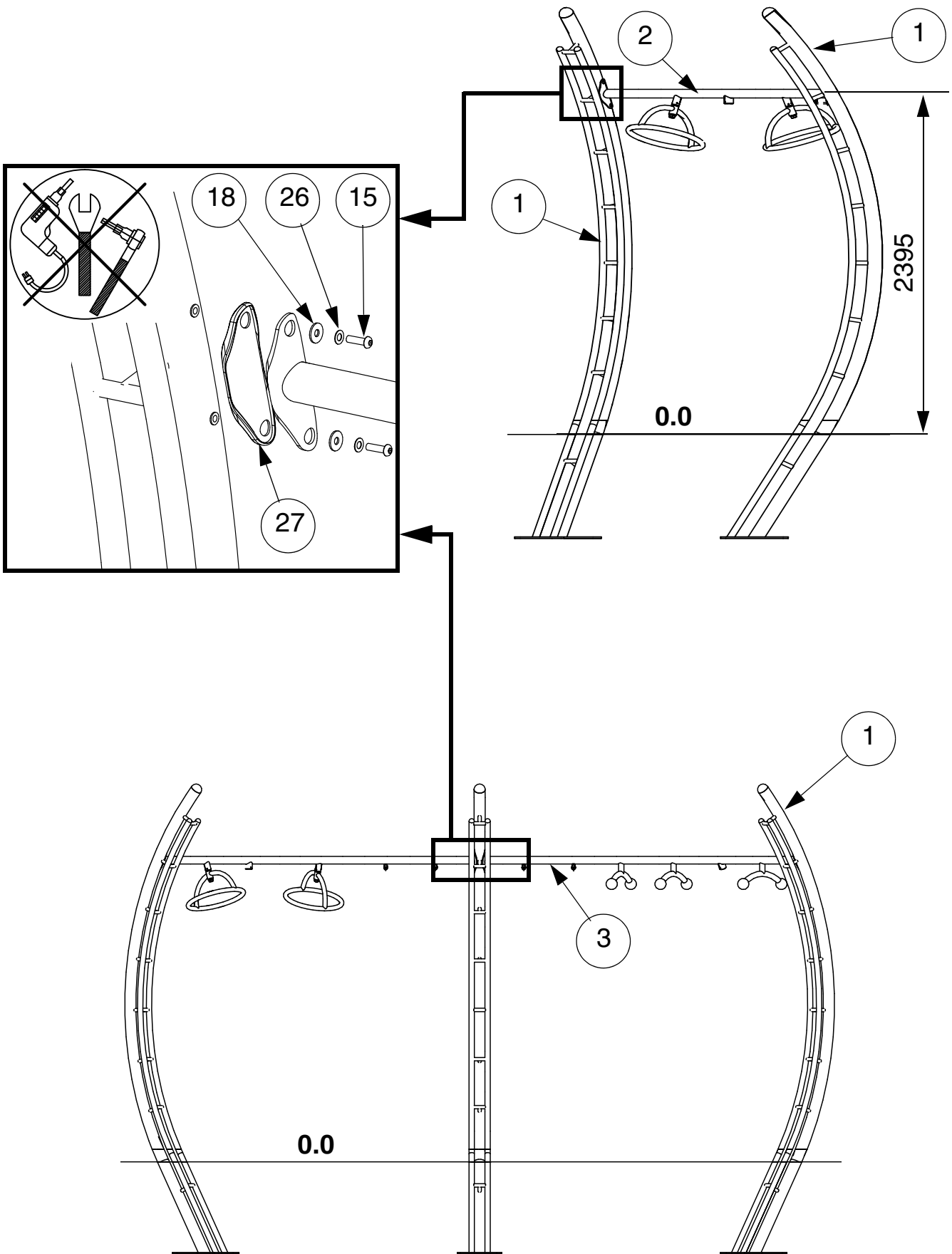
ITEM	REF.		NXVS5	NXVE5	kg
1	38000001		5		66.000
2	38003010		1		26.000
3	38003311		1		22.000
4	38003050		1		15.000
5	38003350		1		19.000
6	38008510		2		8.000

ITEM	REF.		NXVS5	NXVE5	kg
7	38007010		1		38.000
8	38007050		1		32.600
9	38007070		1		41.000
10	38006010		1		32.000
11	38006020		1		33.000

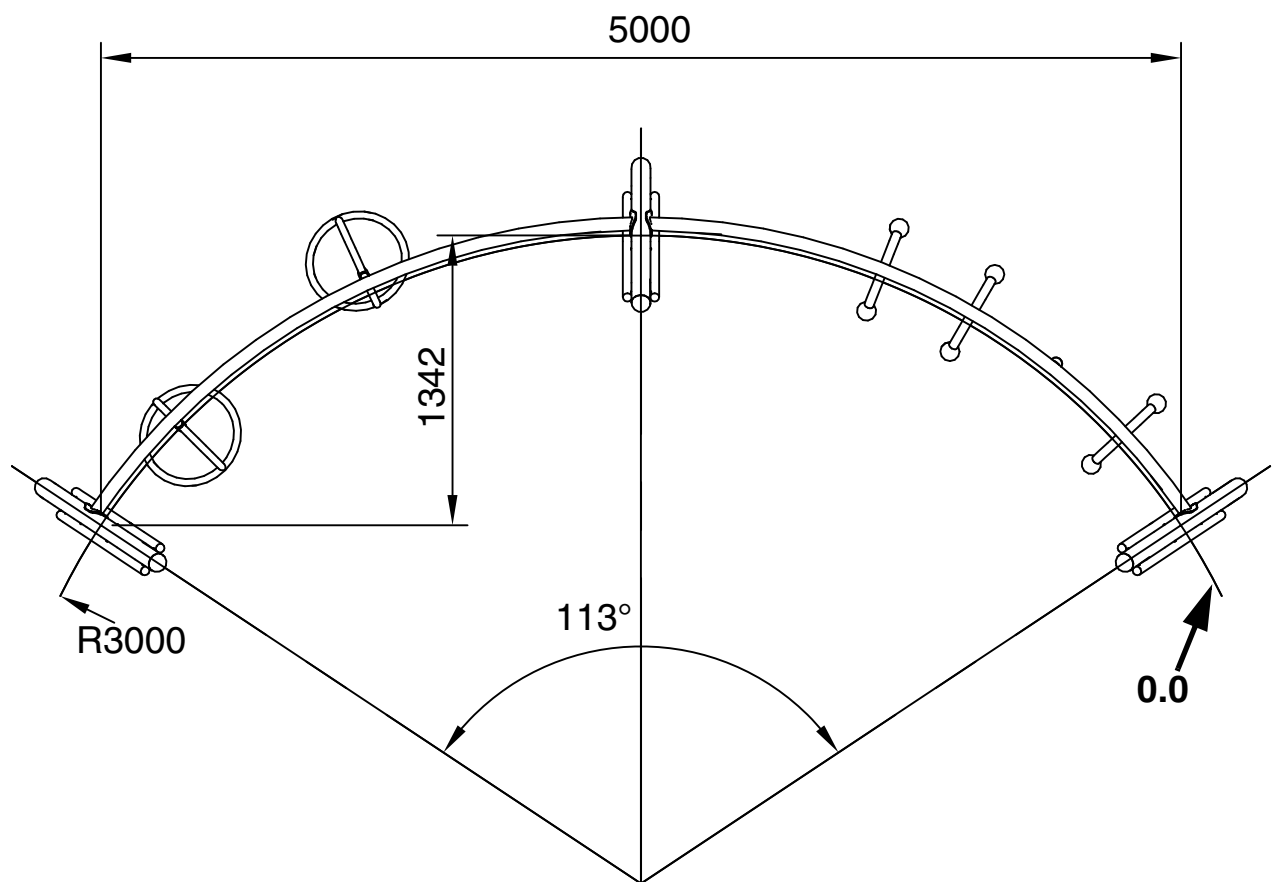
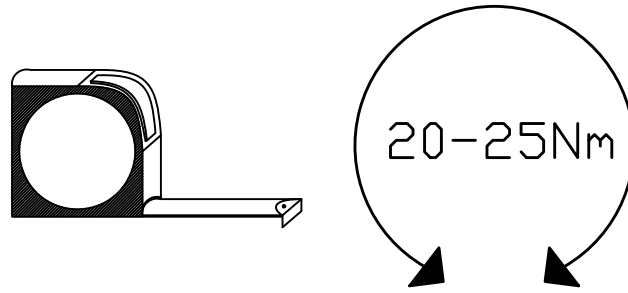
ITEM	REF.		NXVS5	NXVE5	kg
12	38002070			1	19.000
13	38002080			1	17.500
14	15715000		15	19	0.100
15	10121040	 M10 X 40		53	0.037
16	10121030	 M10 X 30		12	0.032
17	10120620	 M6 X 20		2	0.009
18	38001019	 M10 12X32X6.5		20	0.002
19	15711010	 M10		6	0.105
20	19024501			84	0.001

ITEM	REF.		NXVS5	NXVE5	kg
21	SSGIL			2	2.200
22	38008027			4	1.500
23					
24	38000002			5	26.000
25	10291000	 M10 11X21X1		12	0.002
26	10301000	 M10 12X18X1		65	0.001
27	19023801			10	0.080
28	10120600	 T30 M6		2	-
29	10121000	 T45 M10		5	-

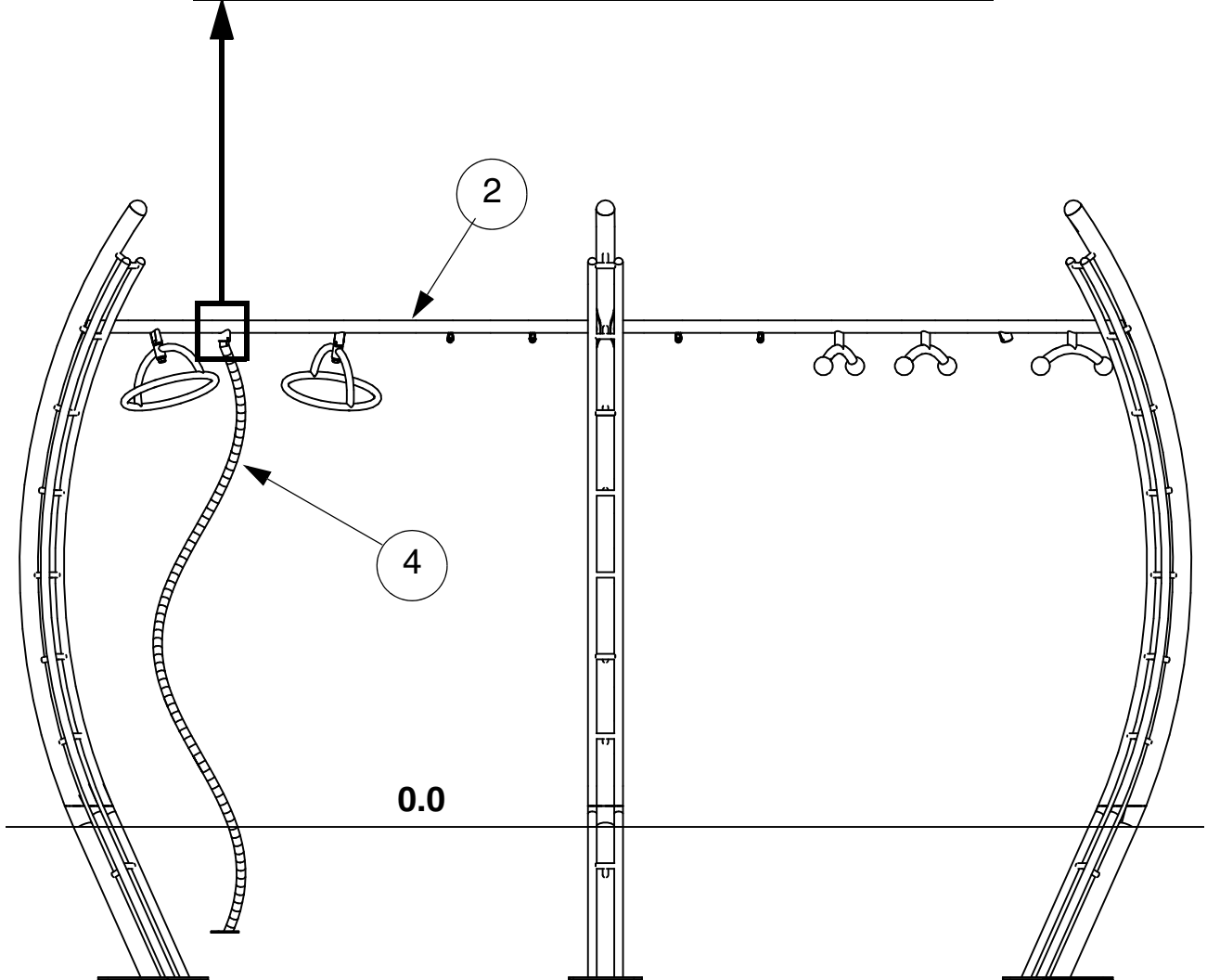
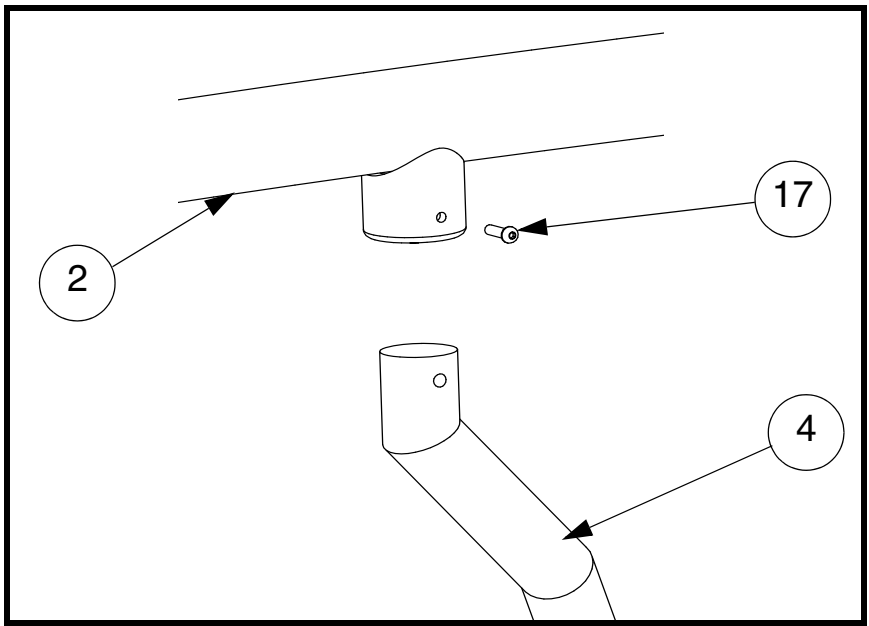
STEP 1



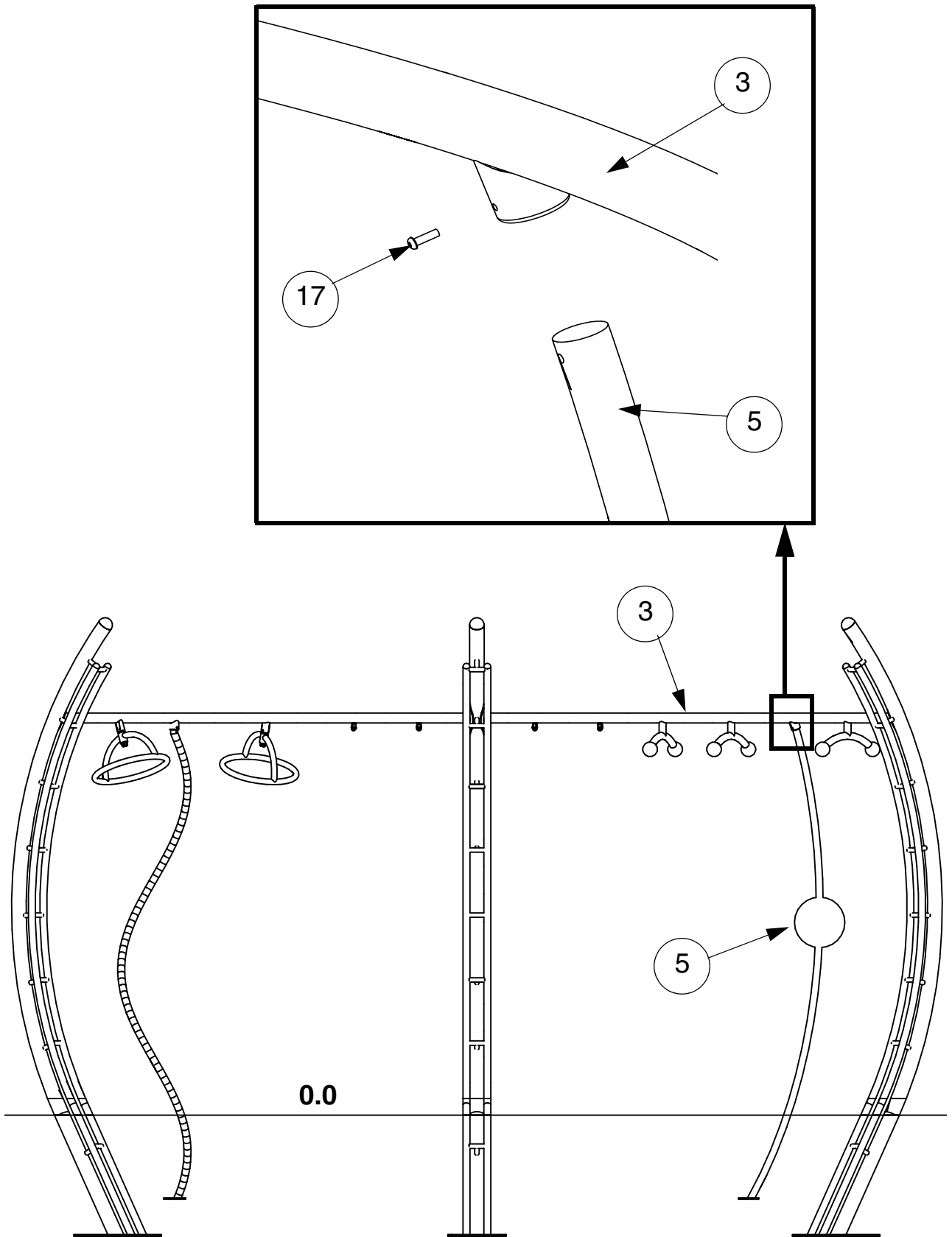
STEP 2



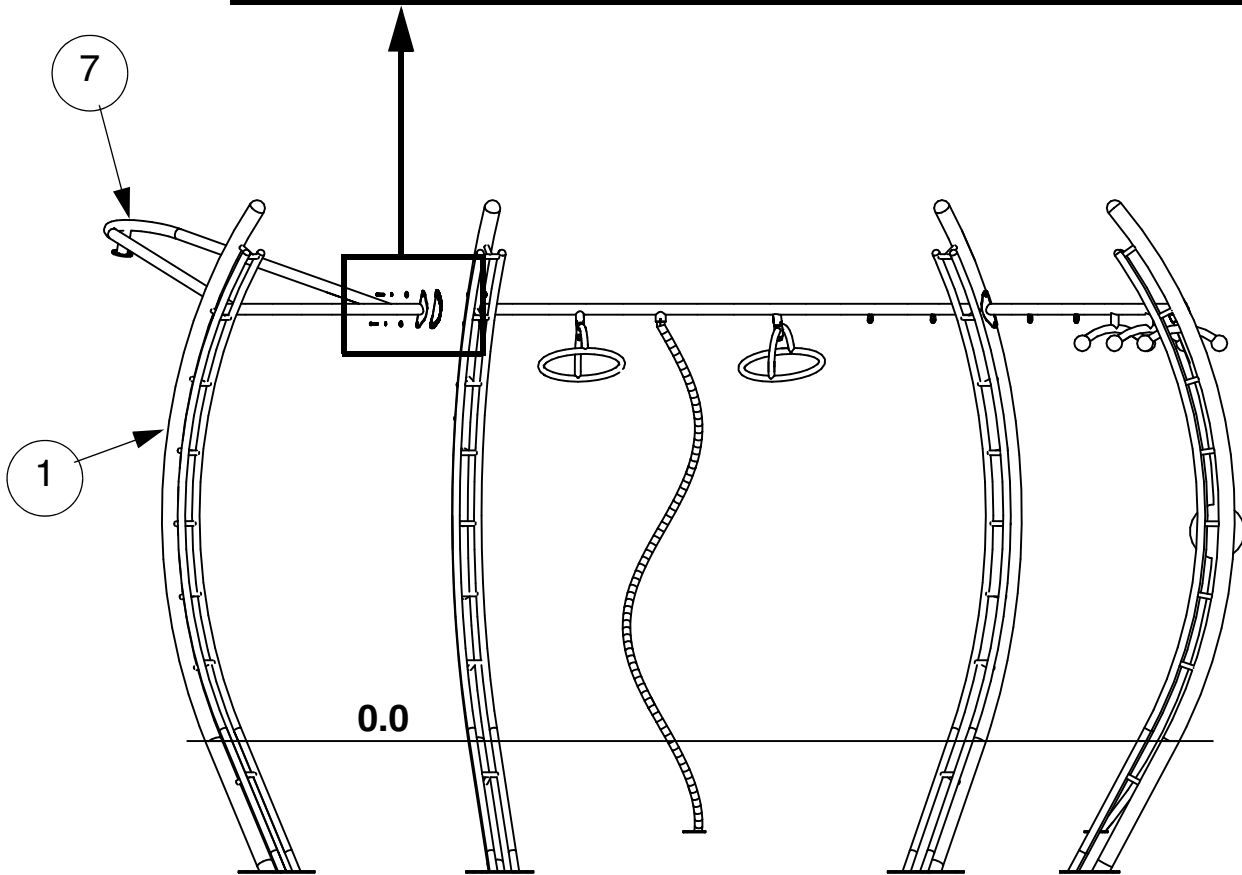
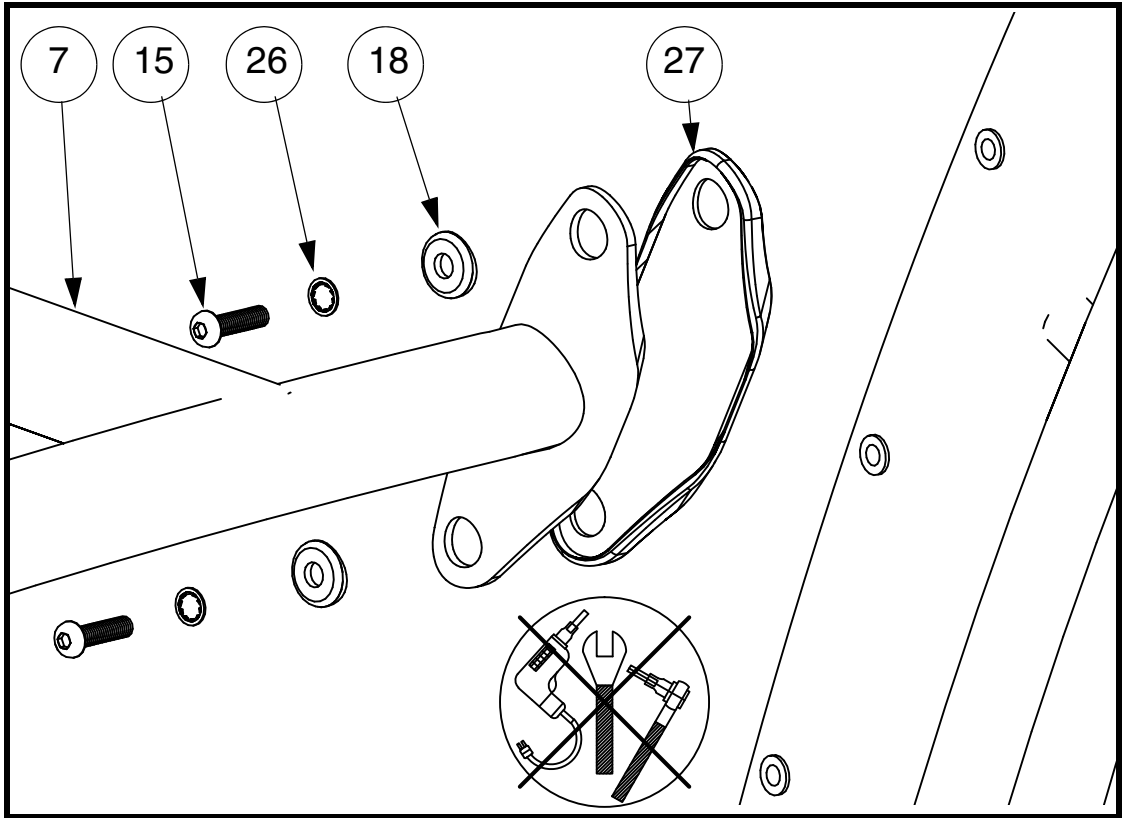
STEP 3



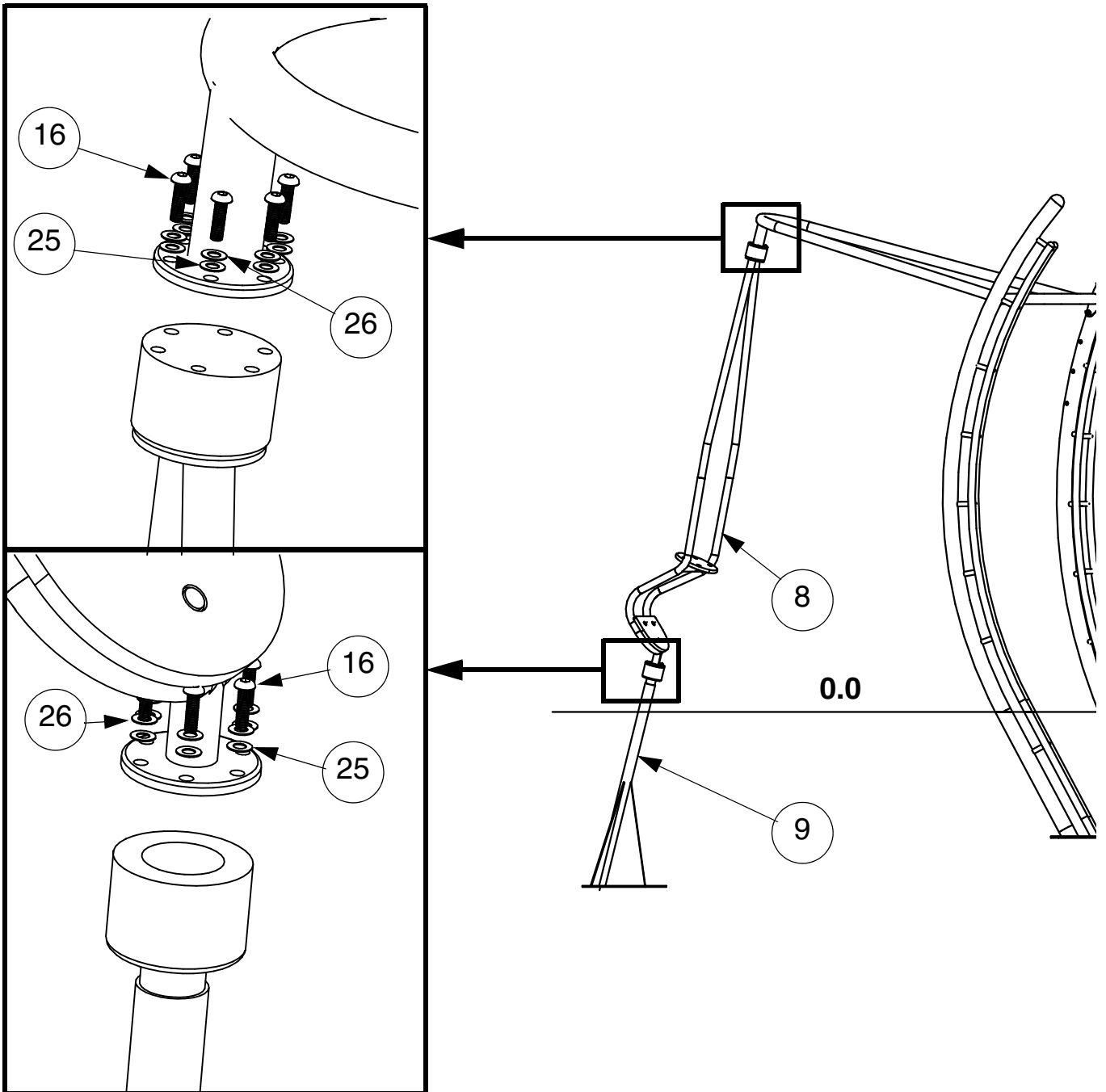
STEP 4



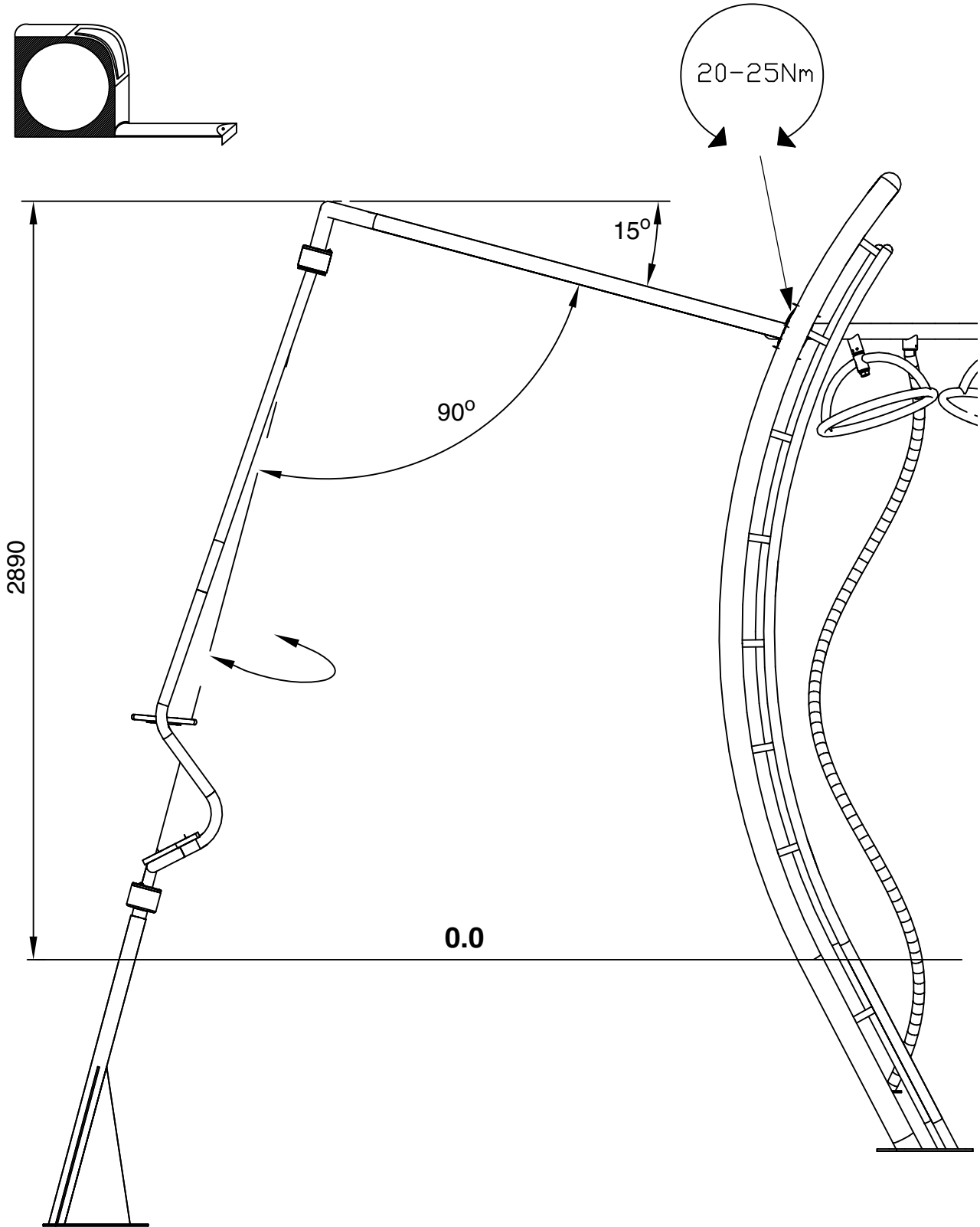
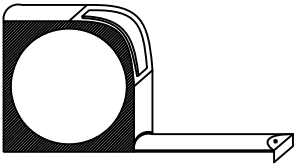
STEP 5



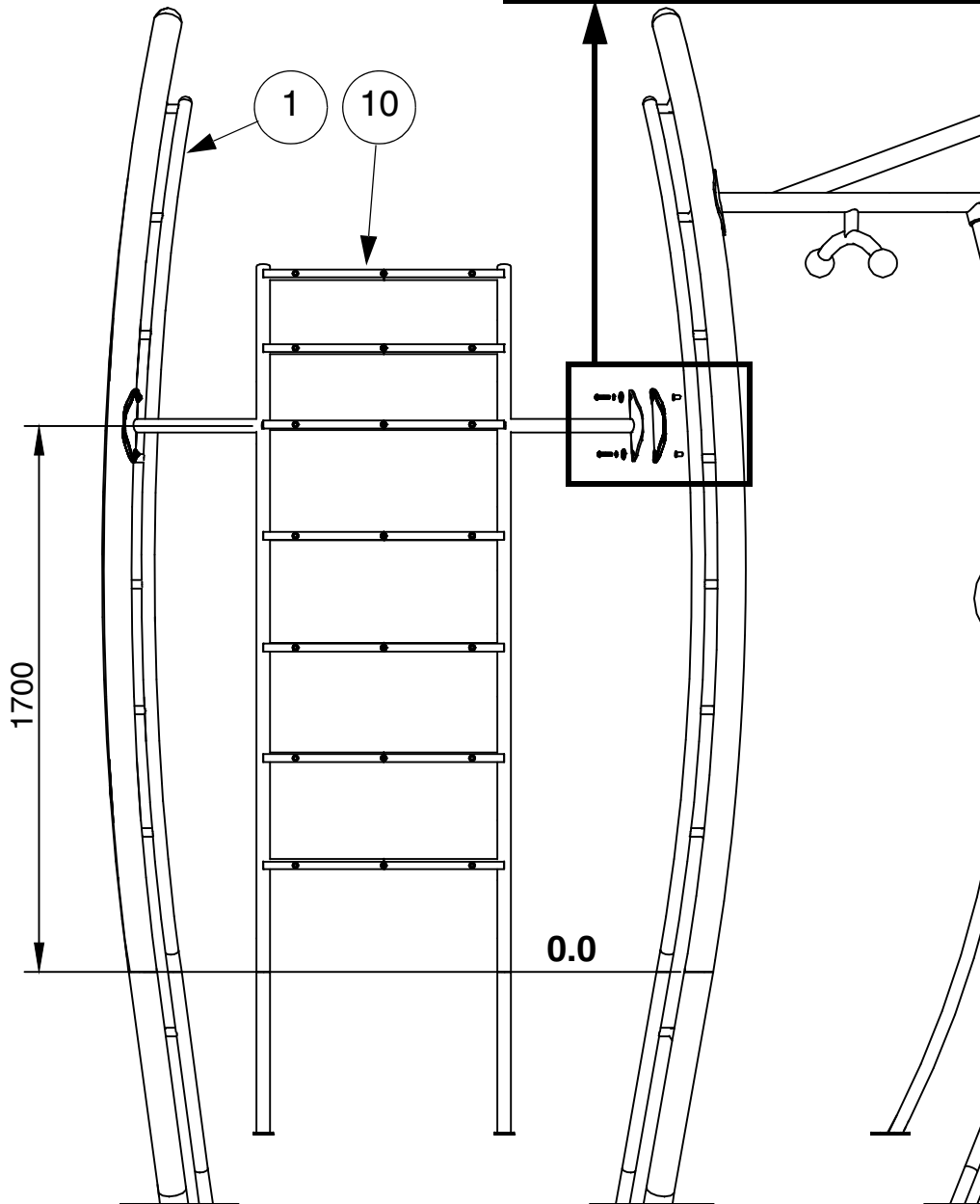
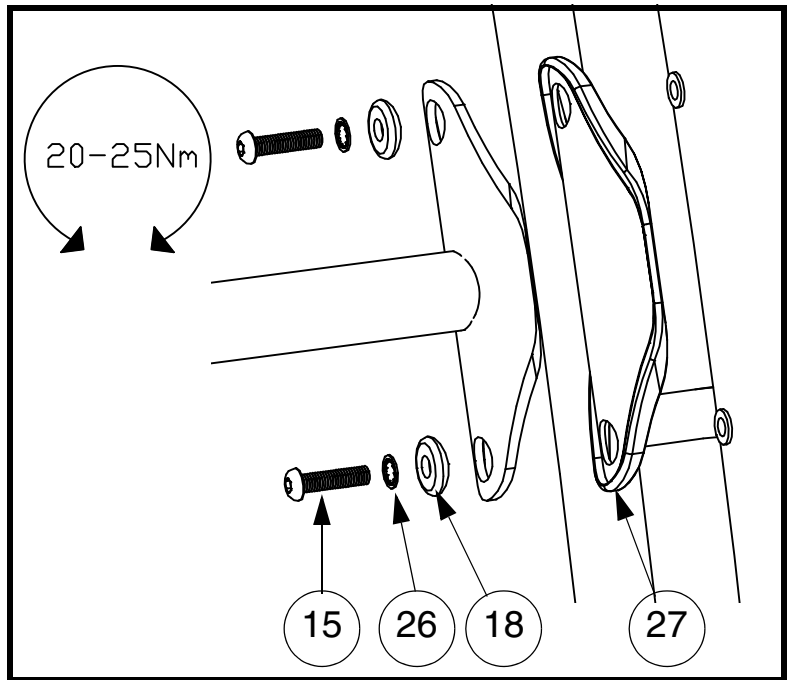
STEP 6



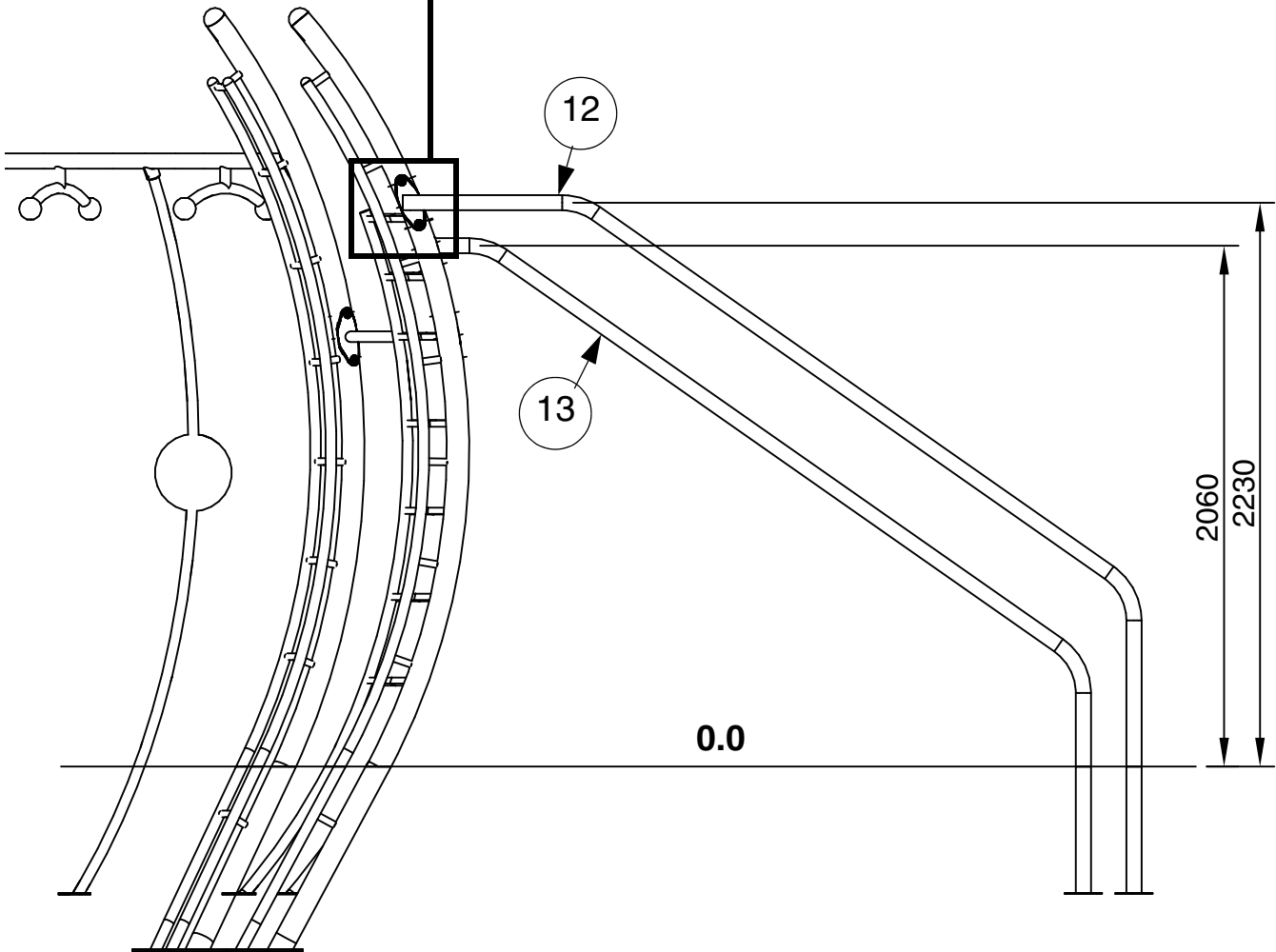
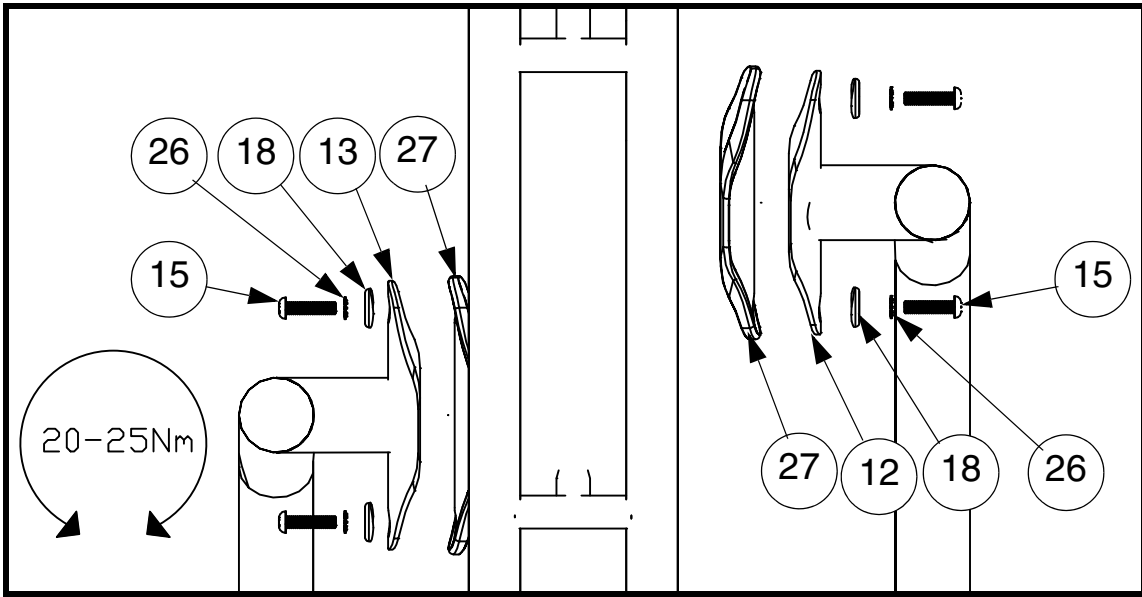
STEP 7



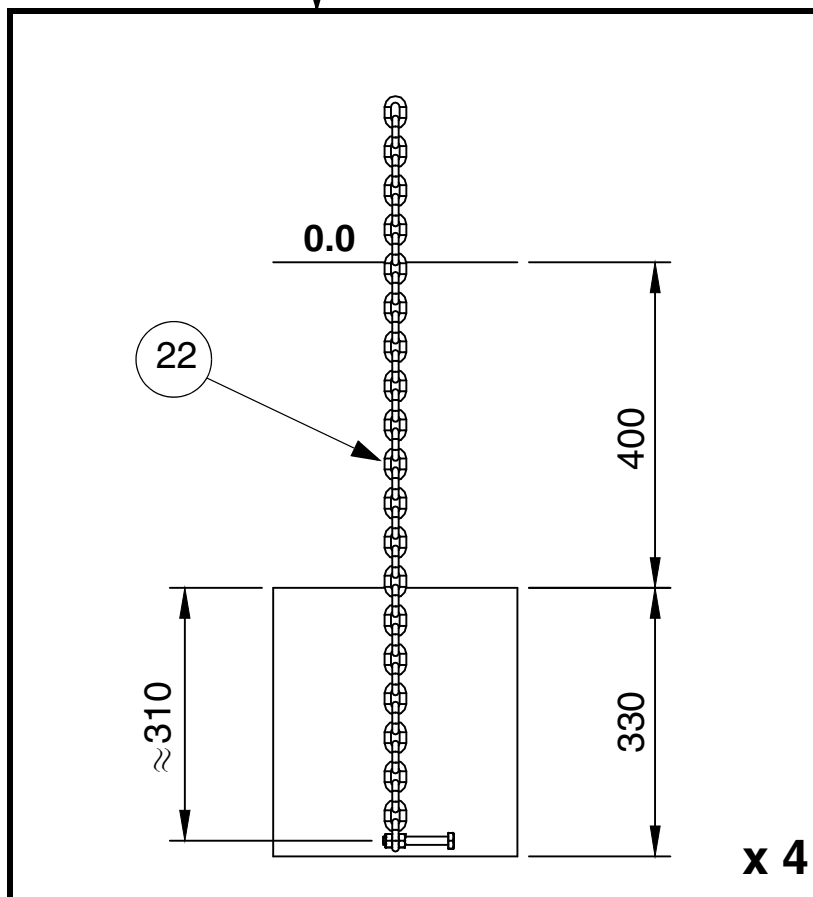
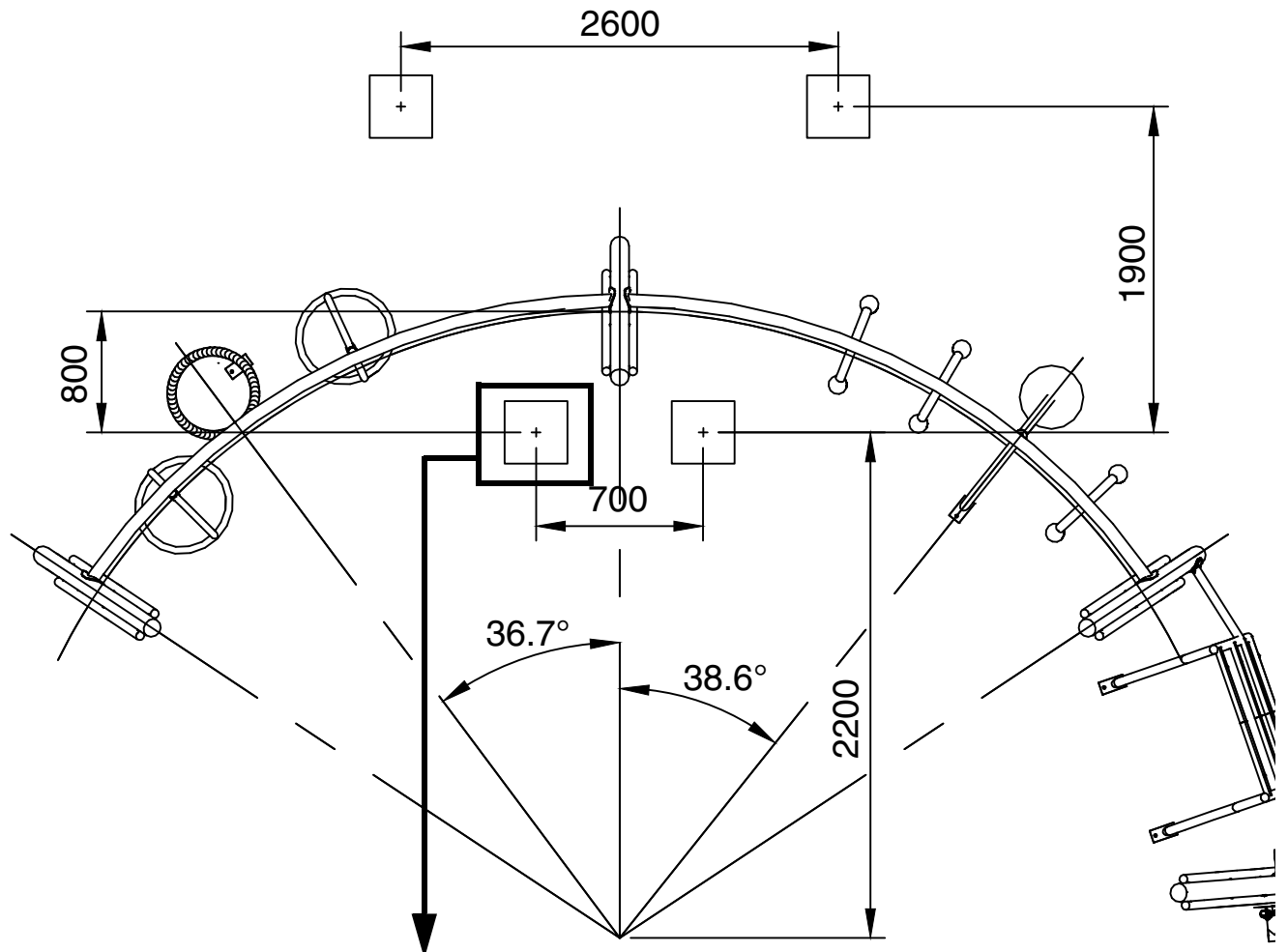
STEP 8



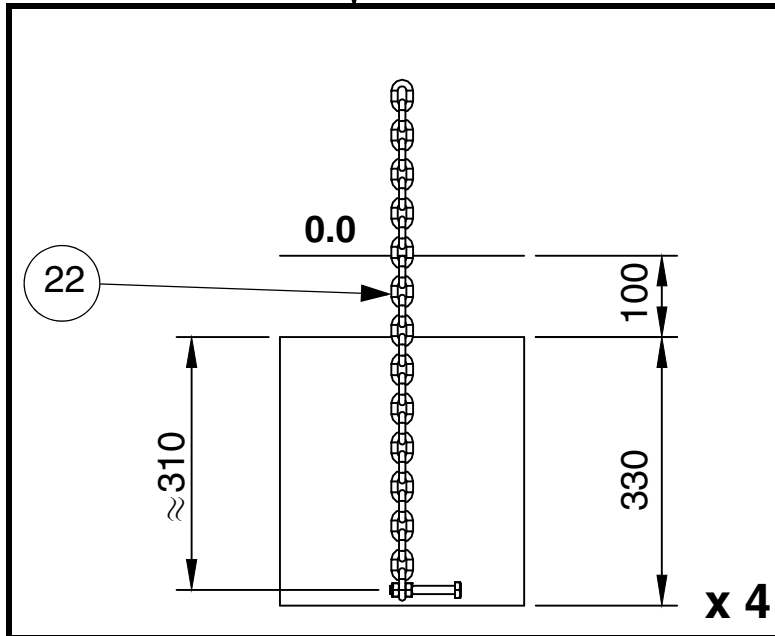
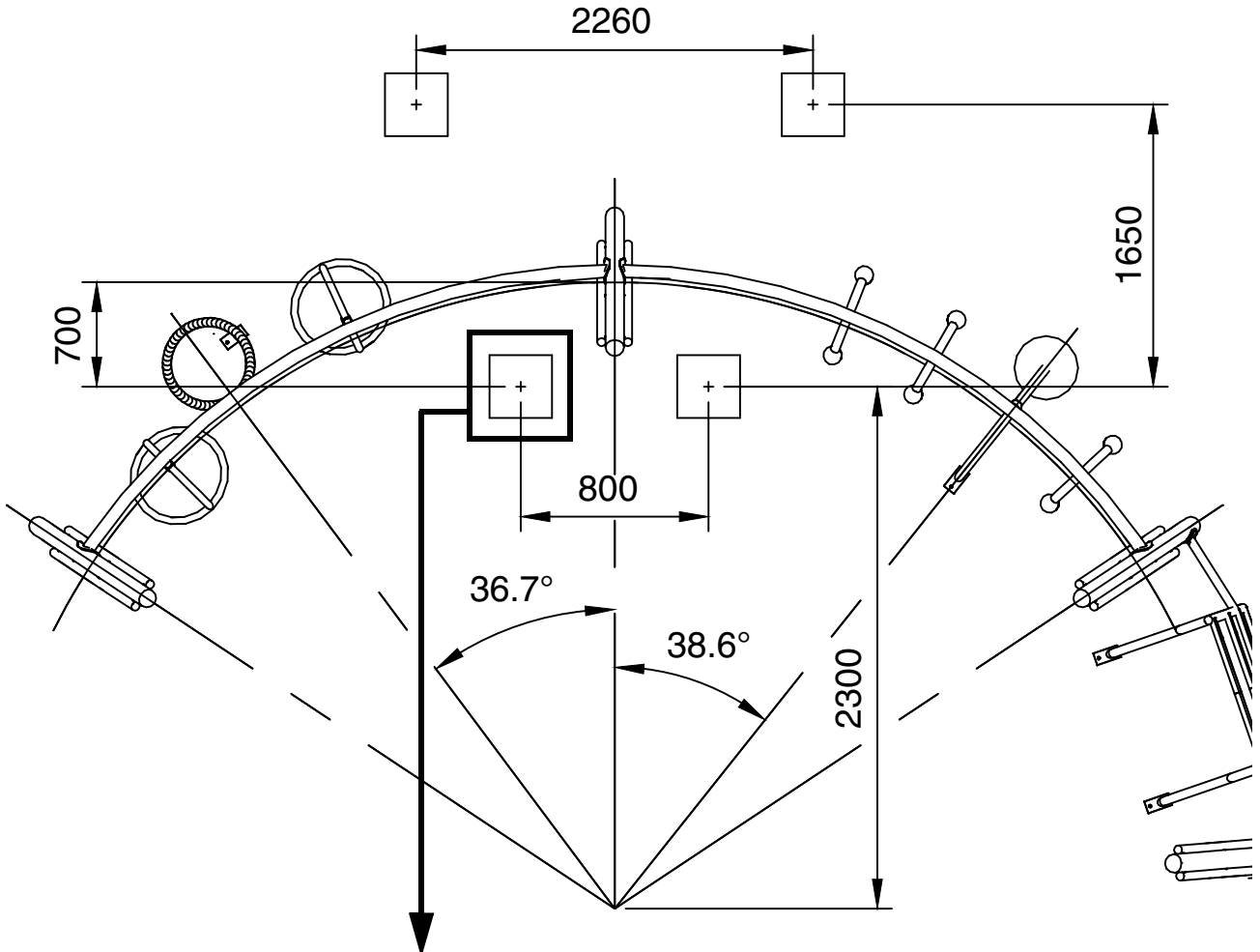
STEP 9



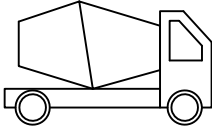


STEP 10A TYPE 1/2  **101/144**



STEP 10B TYPE 3 101/144

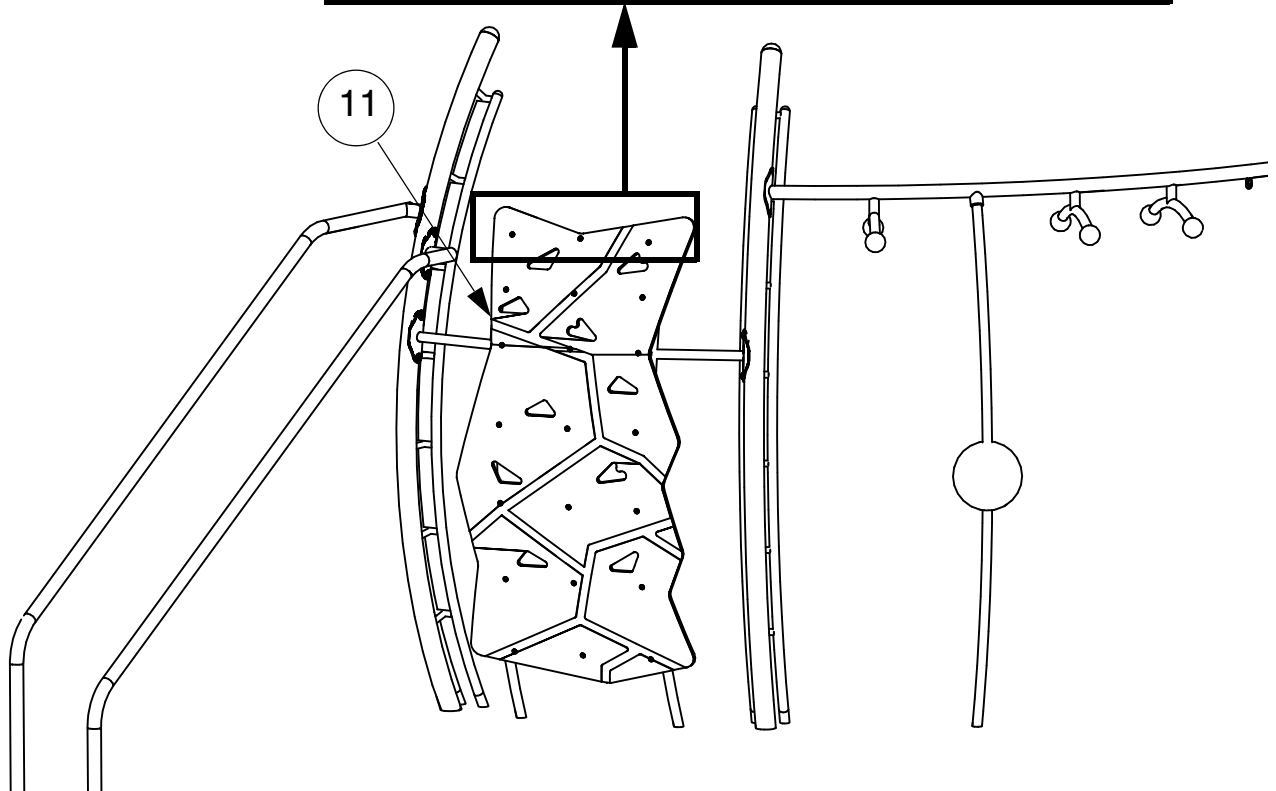
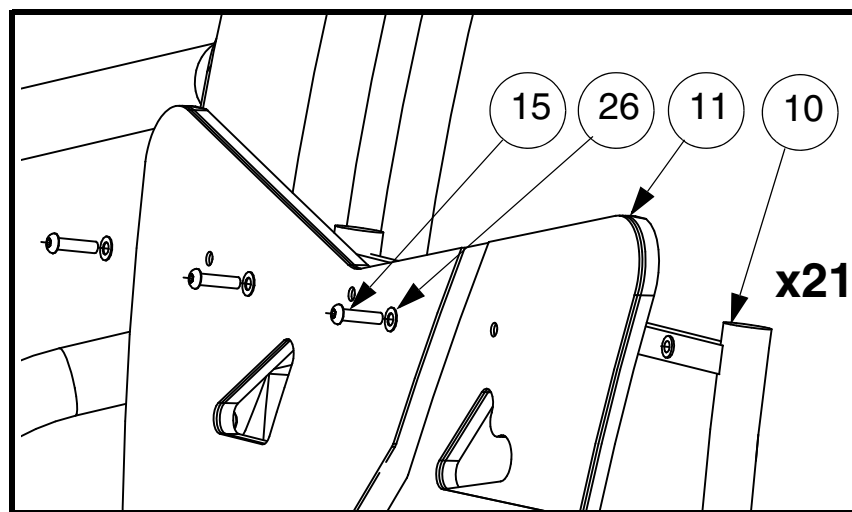


STEP 11

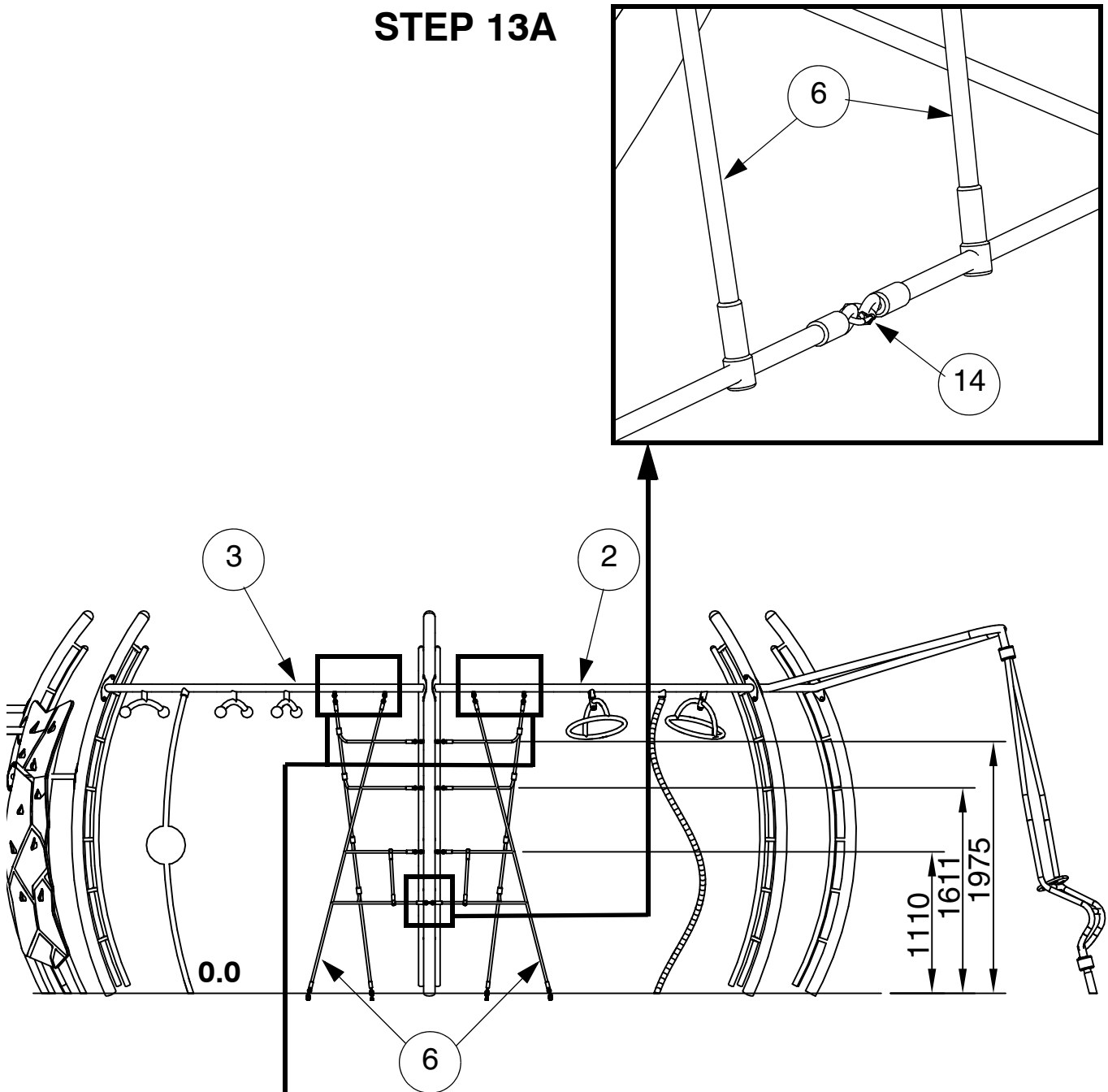
	
S2 (50mm)	
≥C20-25	
	7 x 24h
	101



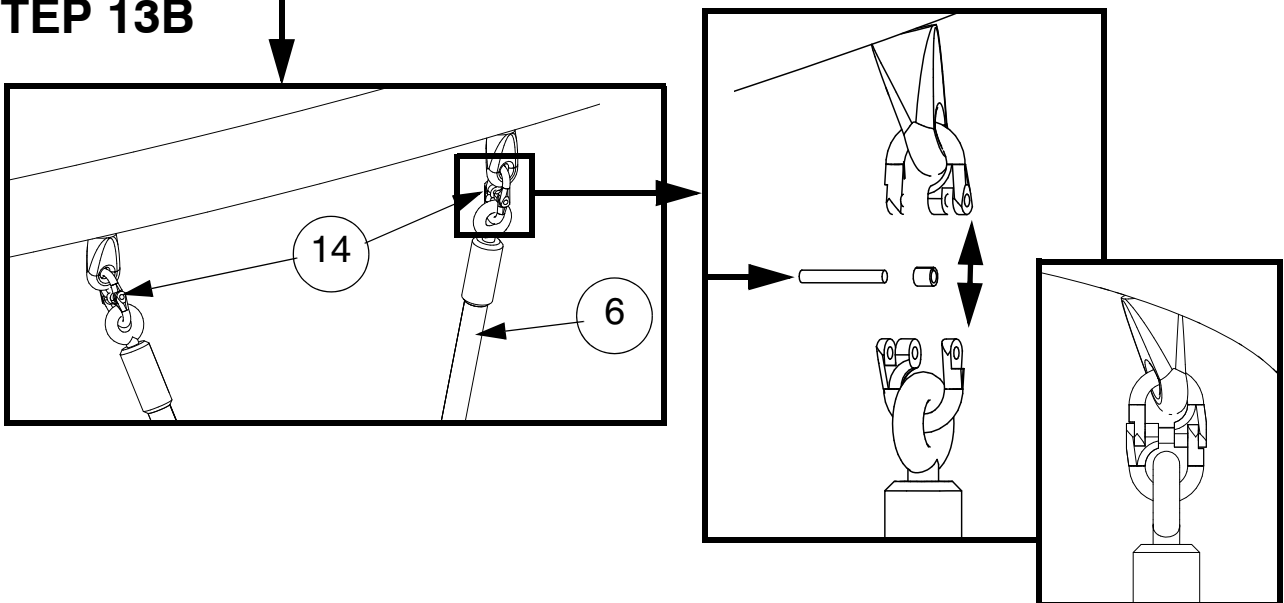
STEP 12



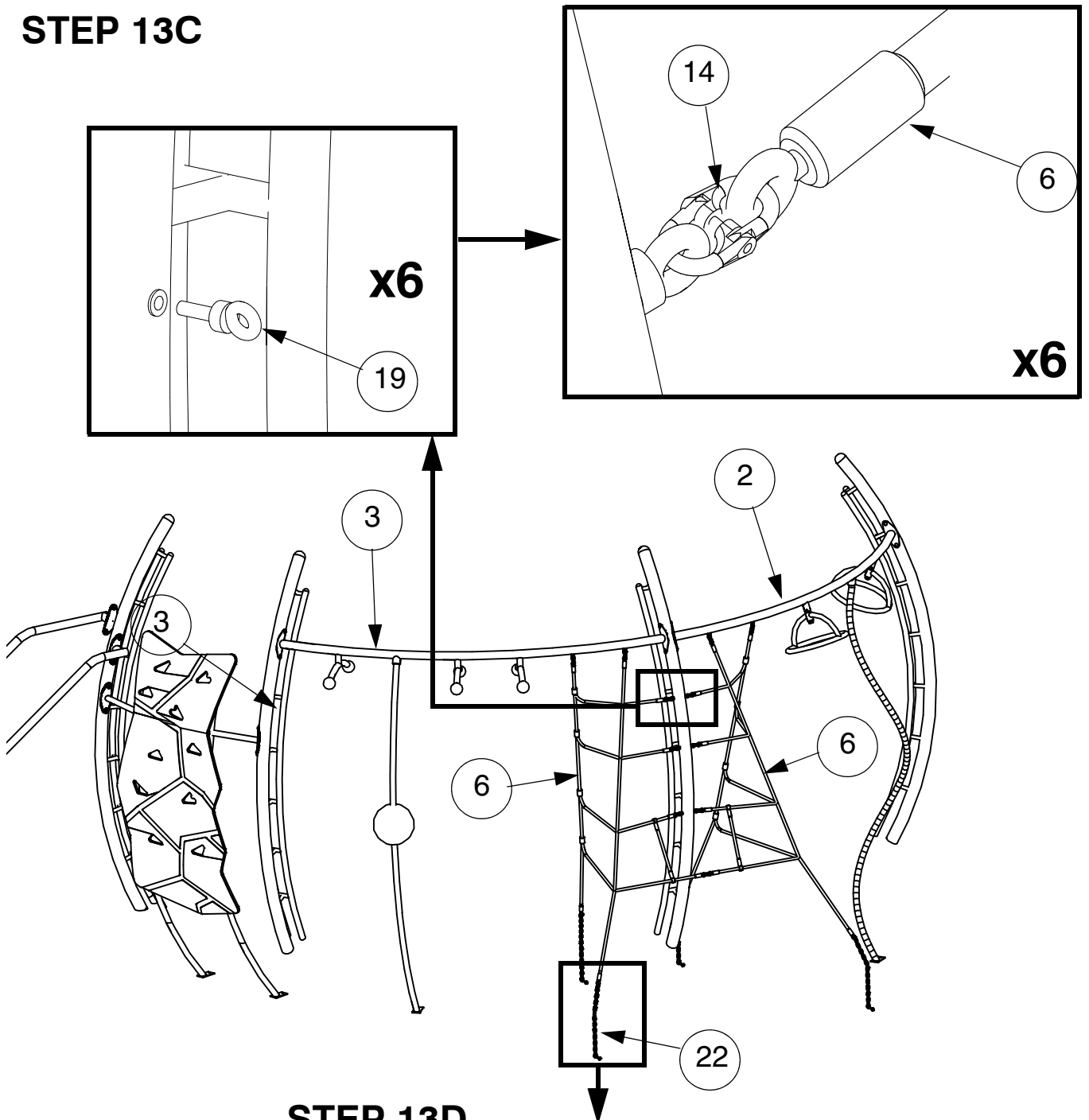
STEP 13A



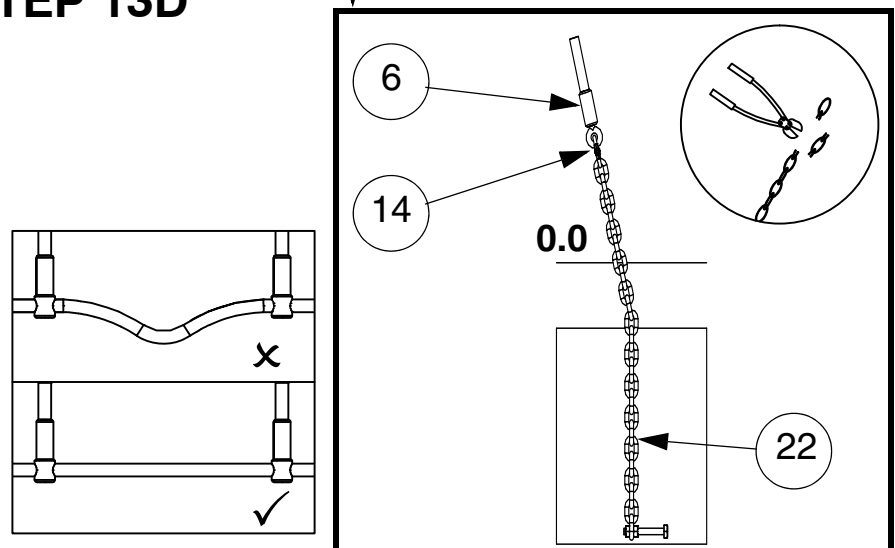
STEP 13B



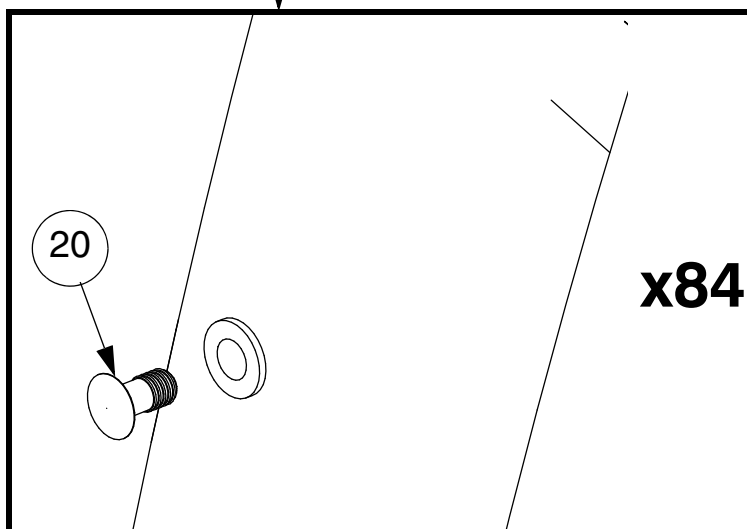
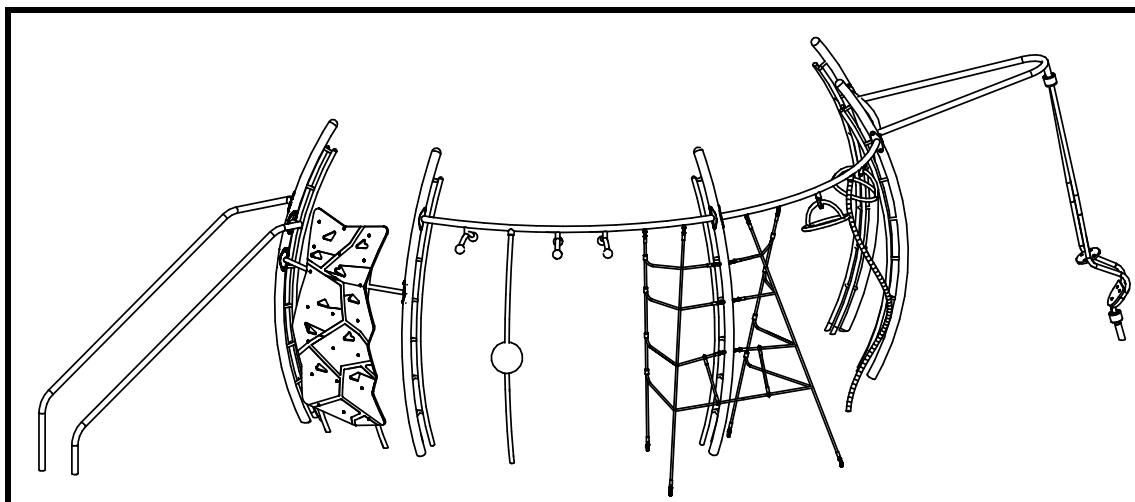
STEP 13C



STEP 13D

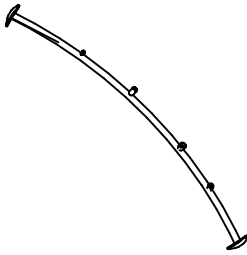

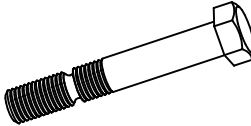
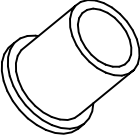
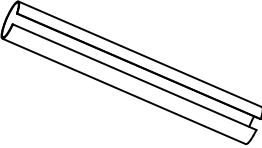
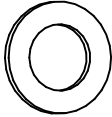


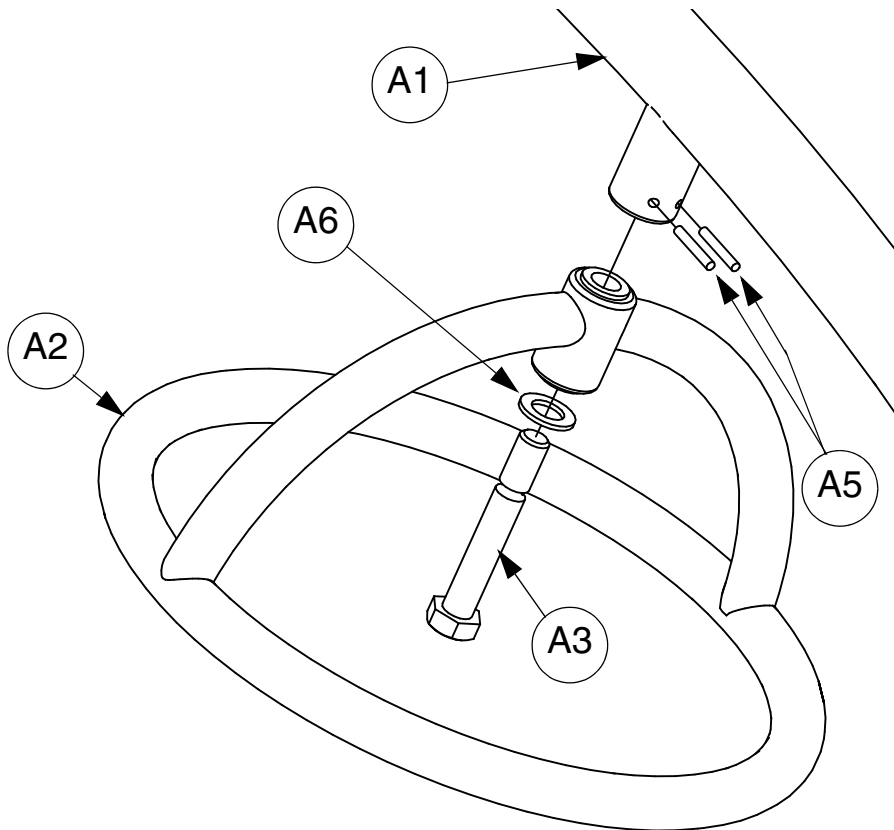
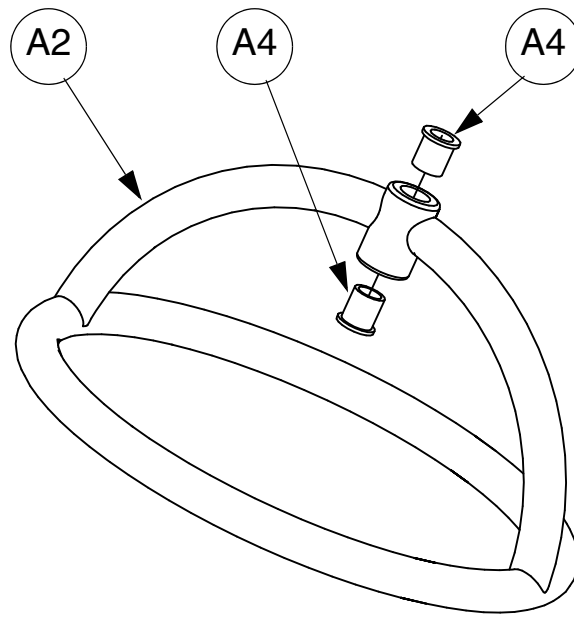
STEP 14



Appendix A:

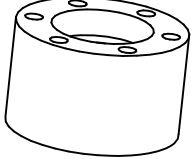
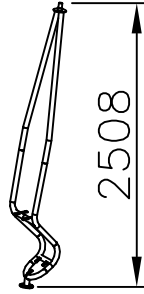
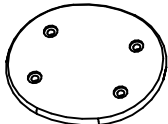
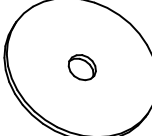
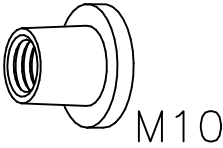
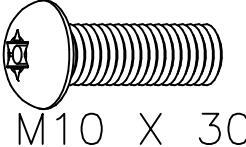
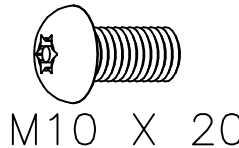
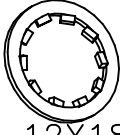
REF 38003010

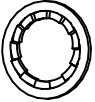
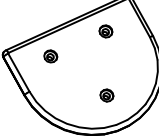
ITEM	REF.		QTY.	kg
A1	38003011		1	15.000
A2	38003017		2	5.000
A3	38003019		2	0.500
A4	15032620		4	0.050
A5	10310640		4	0.001
A6	10292000	 M20 22X37X3	2	0.005

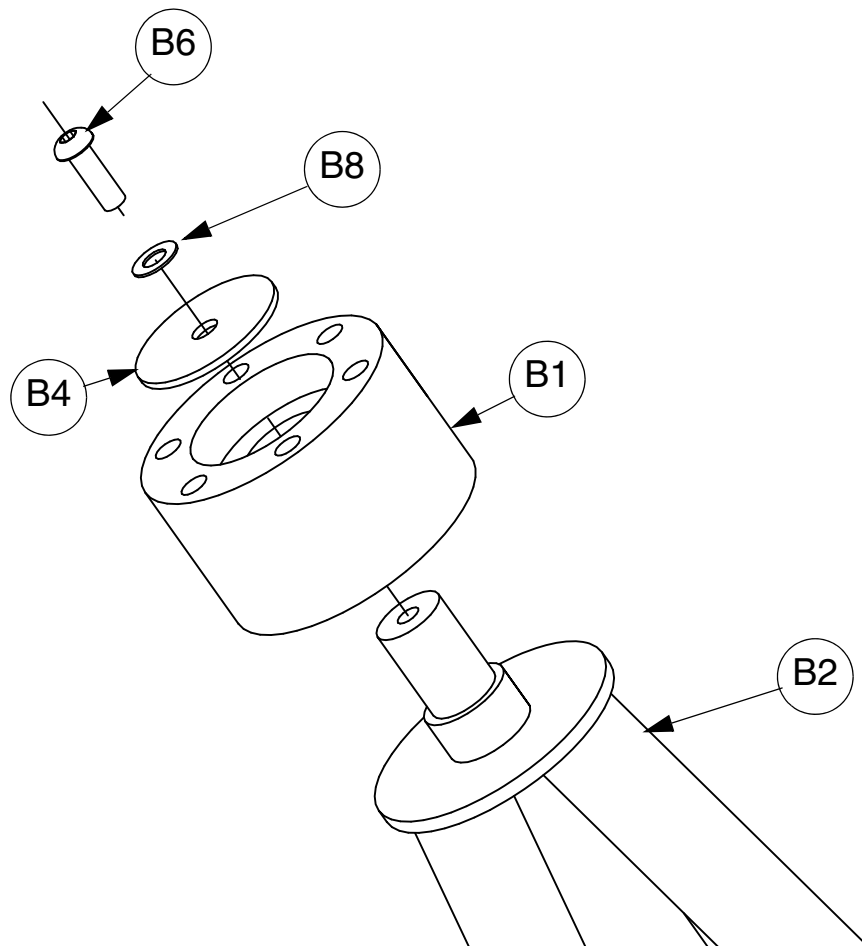


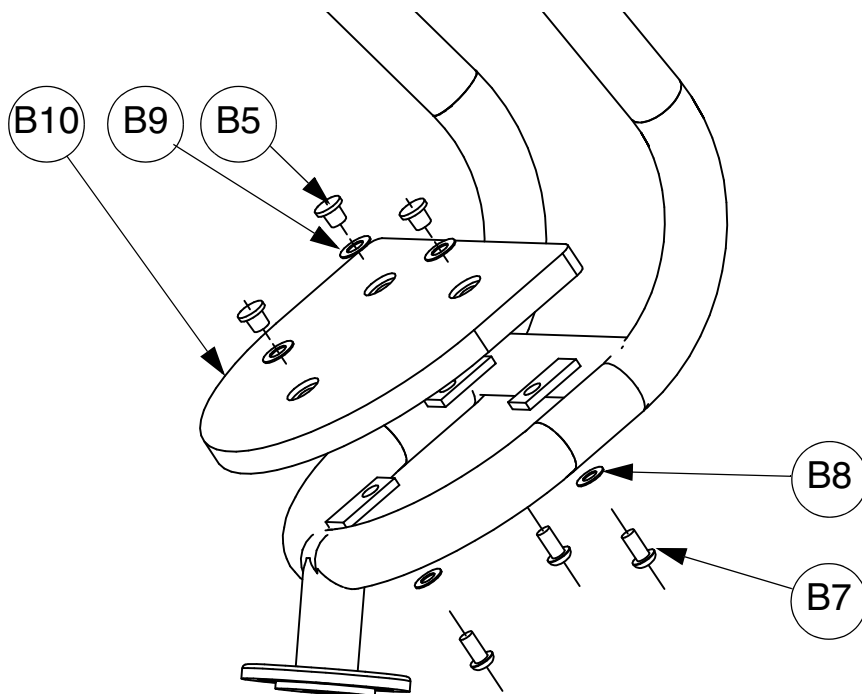
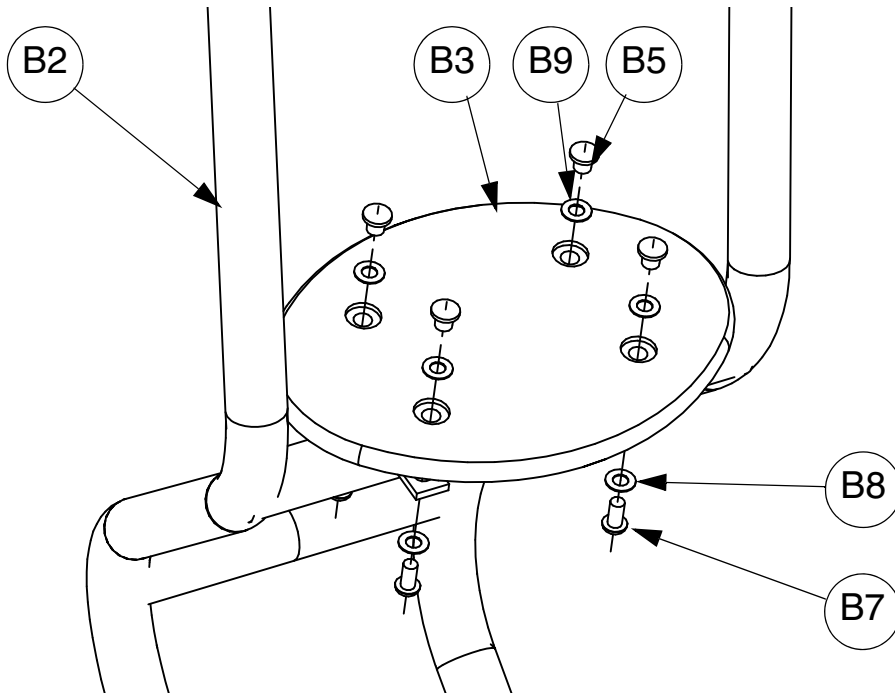
Appendix B:

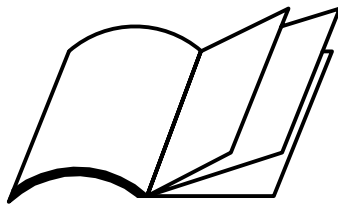
REF 38007050

ITEM	REF		QTY.	kg
B1	38007031		1	5.000
B2	38007051		1	35.000
B3	38007053		1	1.200
B4	38007054		1	0.080
B5	10931000		7	0.006
B6	10121030		1	0.028
B7	10121020		7	0.020
B8	10301000		8	0.002

ITEM	REF		QTY.	kg
B9	10301200	 M12 13X20X1	7	0.002
B10	38007055		1	1.200

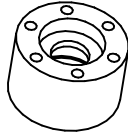
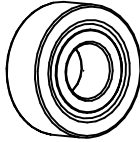
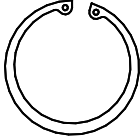


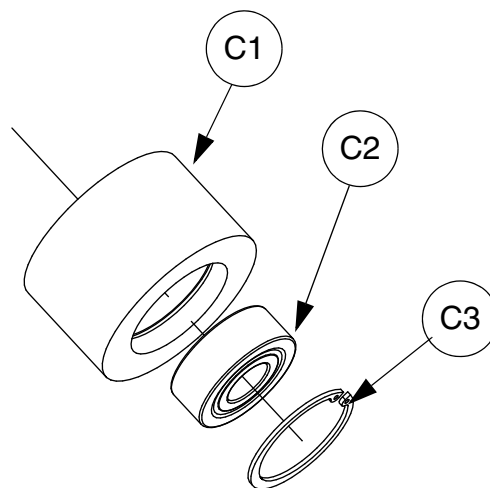


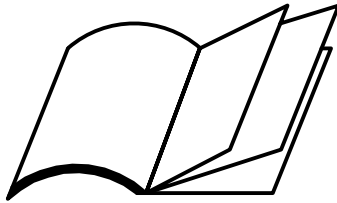


Appendix C:

REF 38007031

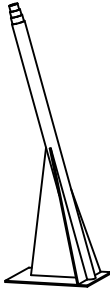
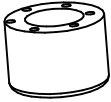
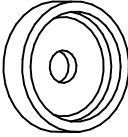
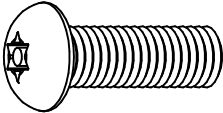
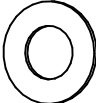
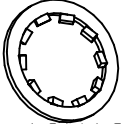
ITEM	REF		QTY.	kg
C1	38007032		1	4.500
C2	38007033		1	0.510
C3	10060072		1	0.001

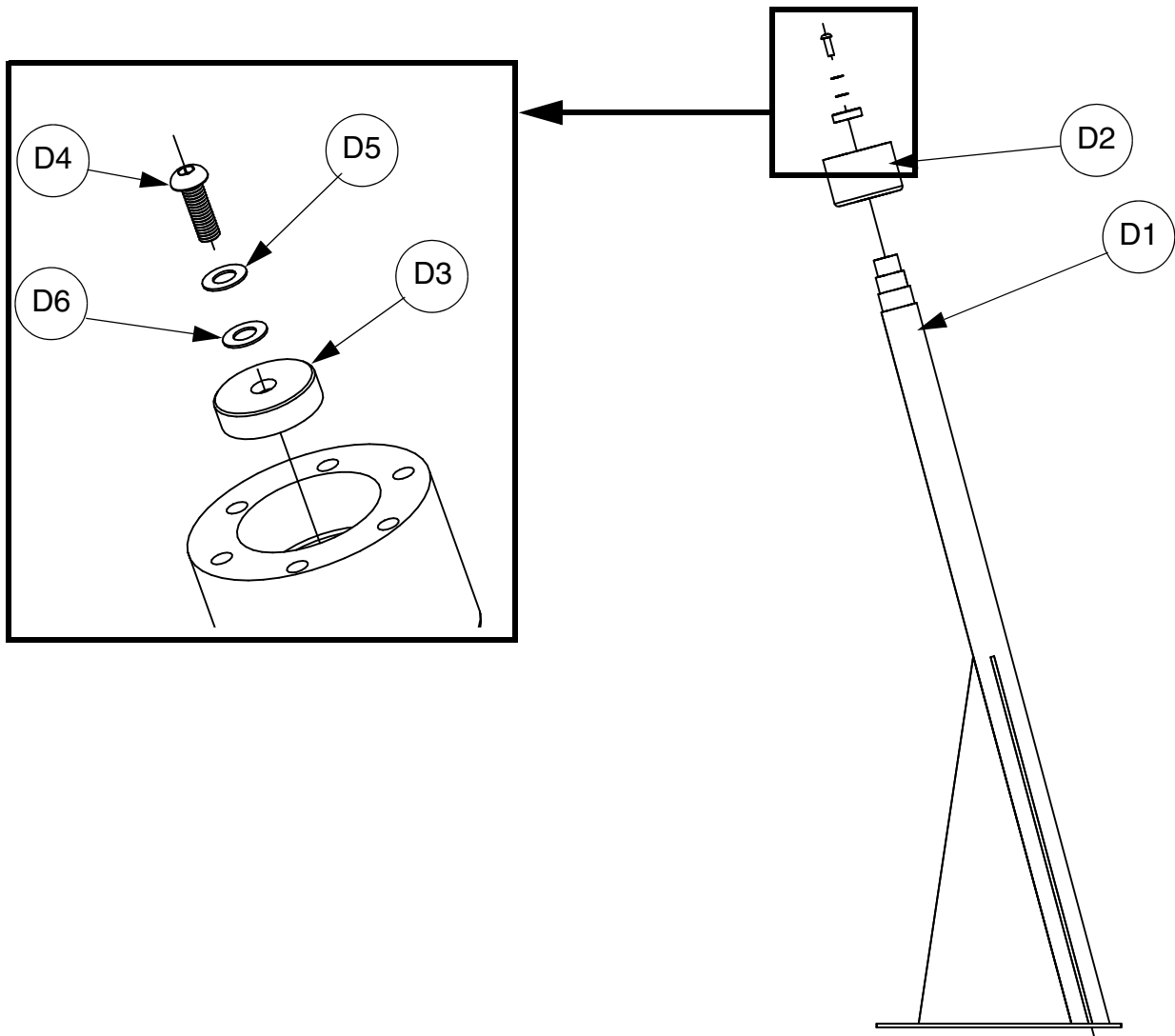




Appendix D:

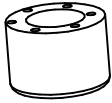



REF 38007070

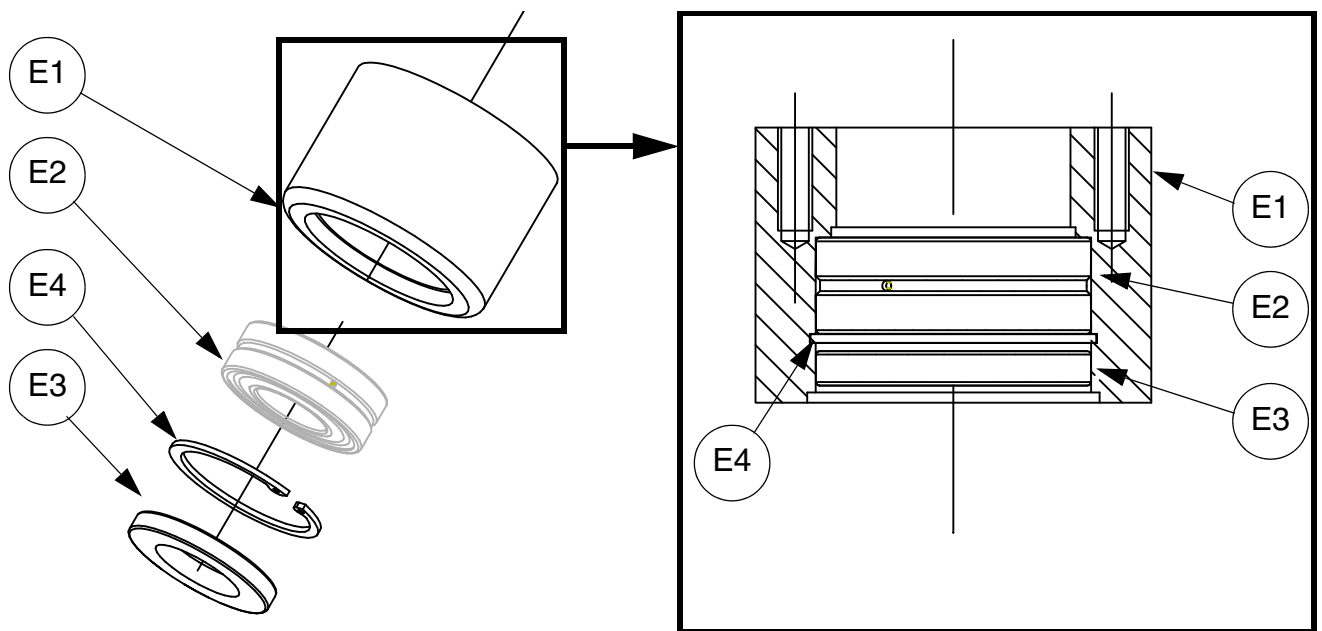
ITEM	REF.		QTY	kg
D1	38007071		1	32.000
D2	38007074		1	7.000
D3	38007073		1	0.100
D4	10121030	 M10 X 30	1	0.028
D5	10291000	 M10 11X21X1	1	0.002
D6	10301000	 M10 12X18X1	1	0.002

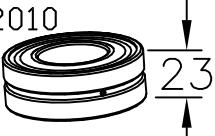


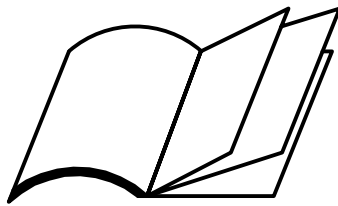
Appendix E:

REF 38007074

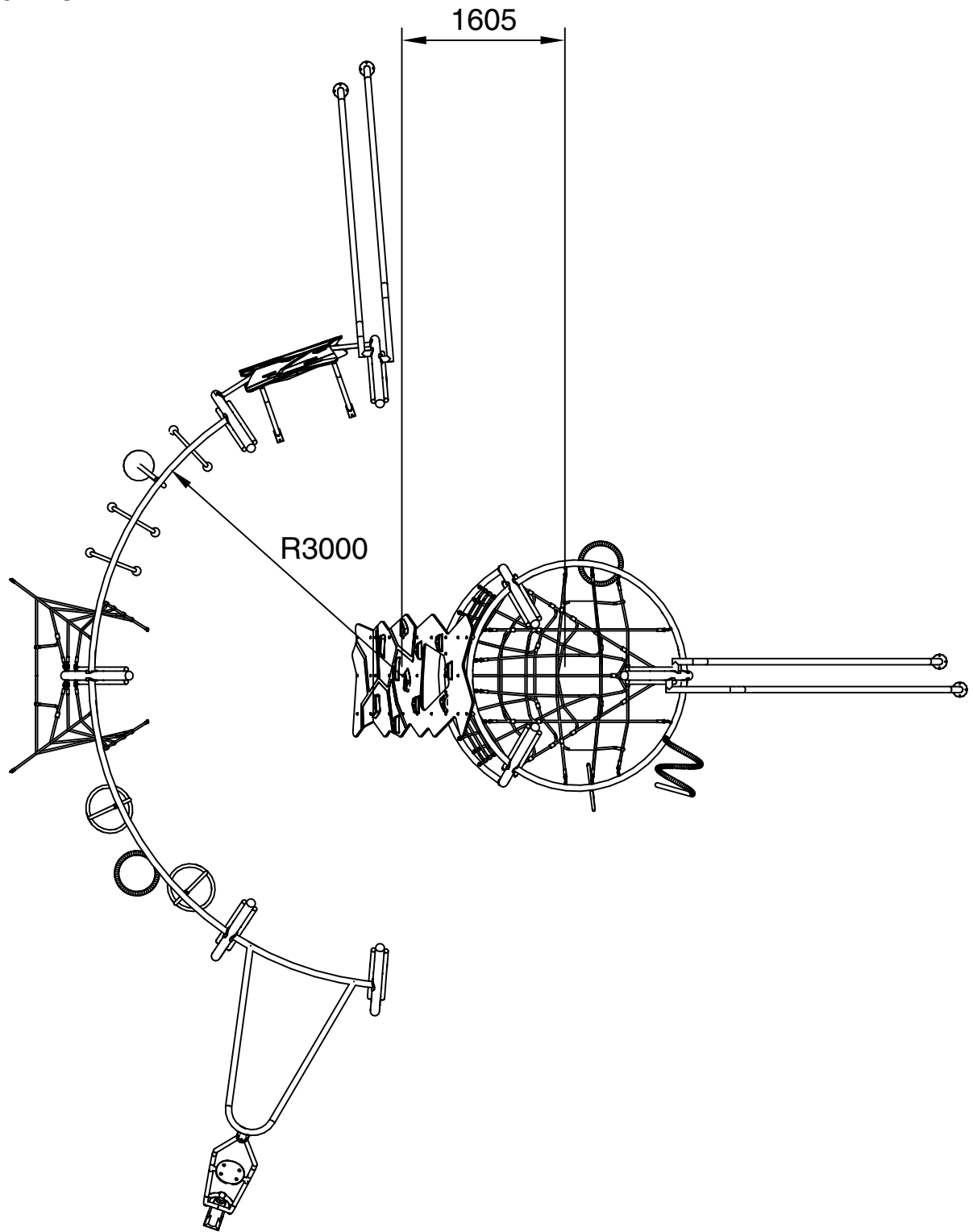
ITEM	REF.		QTY	kg
E1	38007082		1	7.000
* E2	71022208		1	0.520
E3	38007076		1	0.015
E4	10060032		1	0.010



* E2	38007075		1	0.520
---------	----------	---	---	-------



Appendix F:
NXV*5 NXC**



NXV*5 NXQ*2

