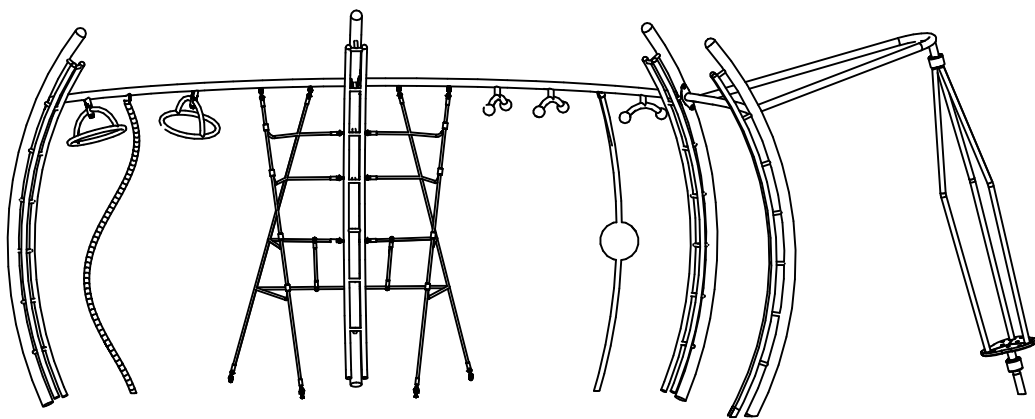


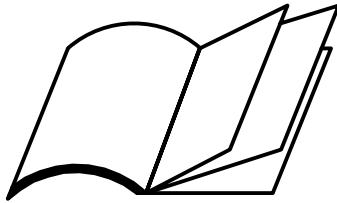
# HAGS

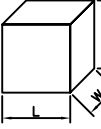
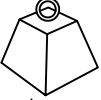
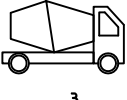
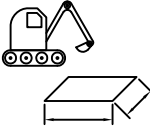
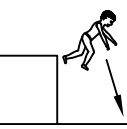

## NEXUS

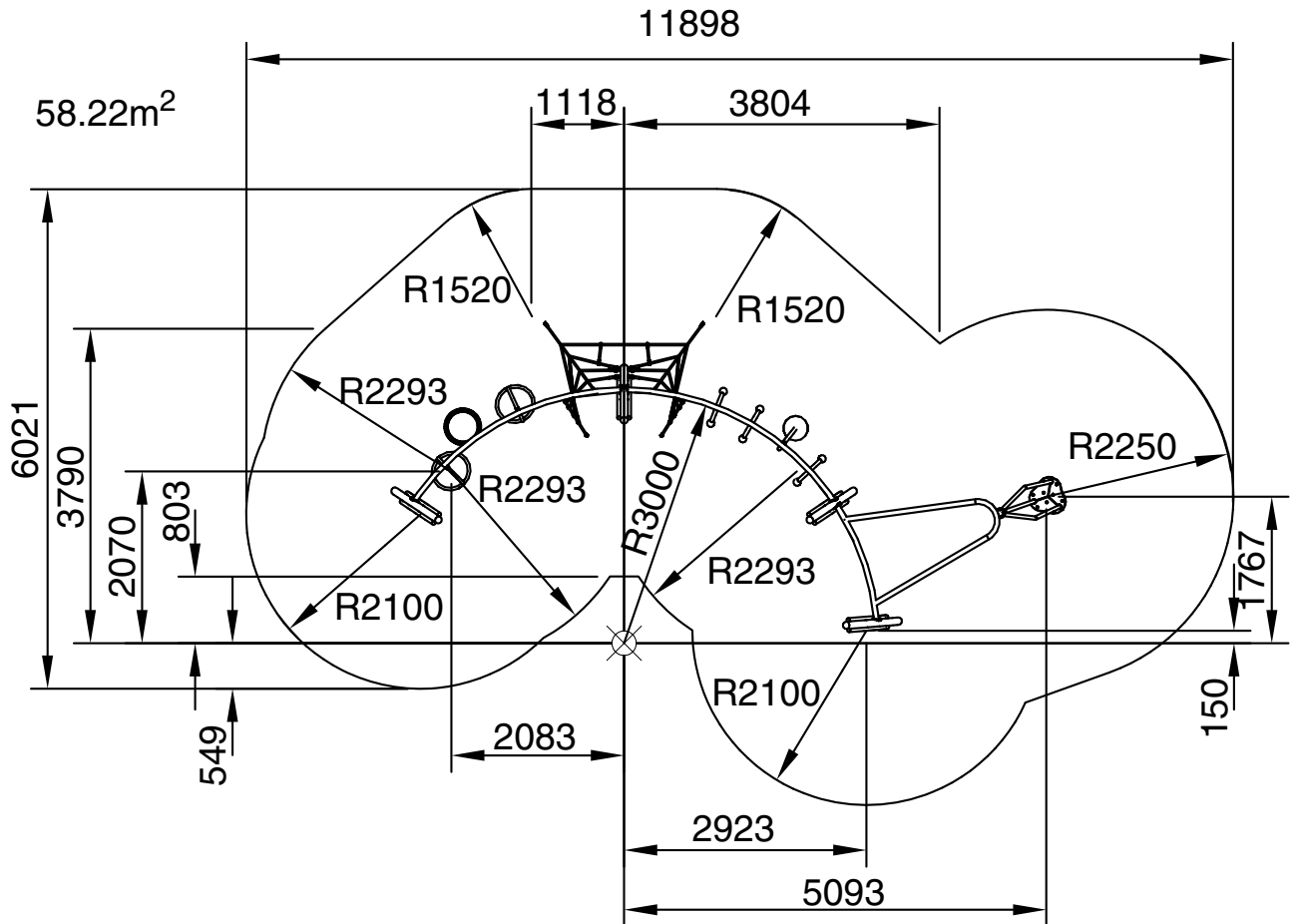
### VELOCITY 3

### NXVS3 NXVE3

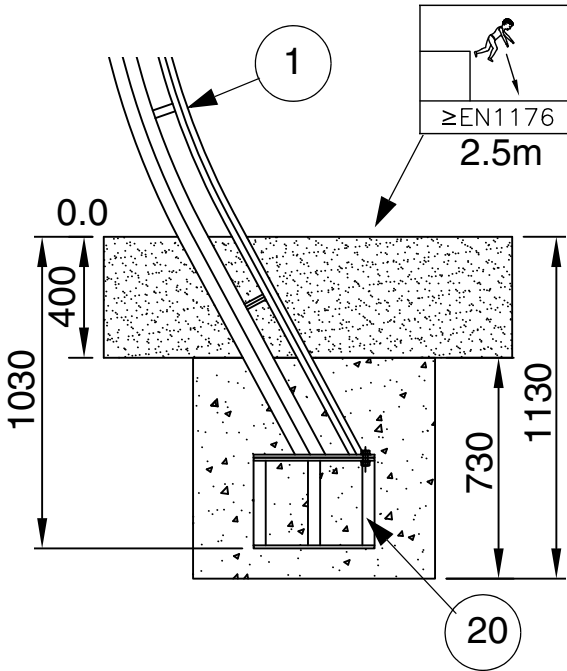




	 LxWxH (m)	 kg	 m <sup>3</sup>	 m	 ≥EN1176	 x 3= T
<b>NXV*3</b>	8.13 x 3.83 x 3	503	3.10	12.00 x 8.00	2.5m	T=60h

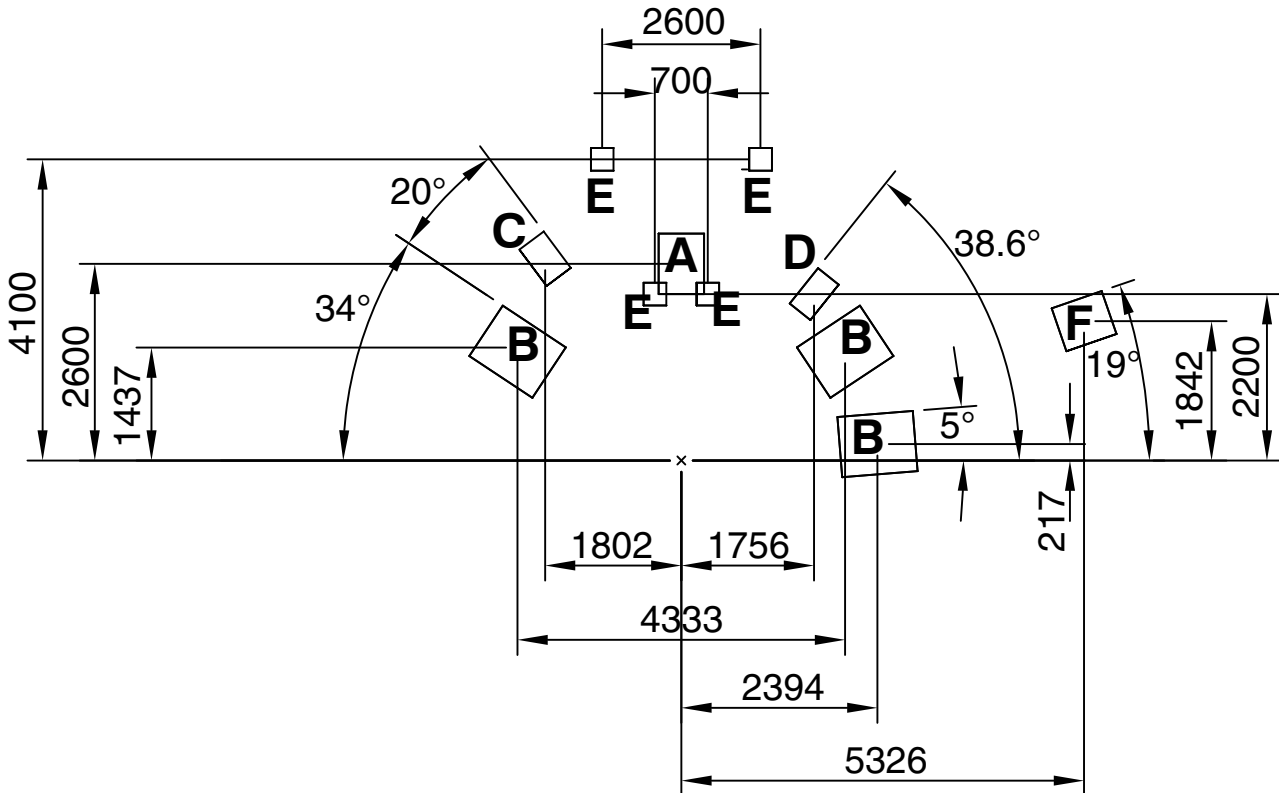


# NXVE3

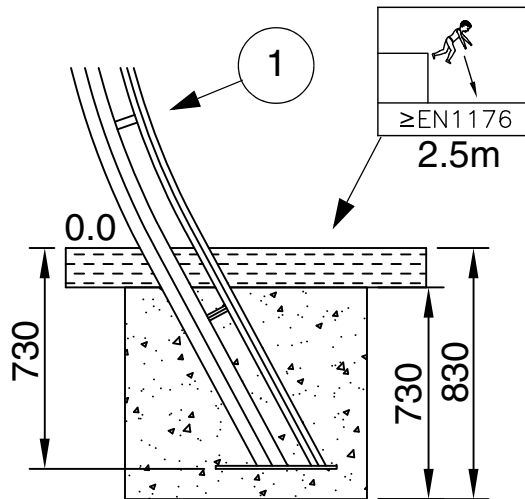


REF		L x W x D
'A'	m	0.80 x 0.60 x 1.13
'B'	m	1.00 x 0.80 x 1.13
'C'	m	0.40 x 0.60 x 0.90
'D'	m	0.35 x 0.60 x 0.90
'E'	m	0.30 x 0.30 x 0.73
'F'	m	0.70 x 0.60 x 1.065

**TYPE 1/2**  **101/144**

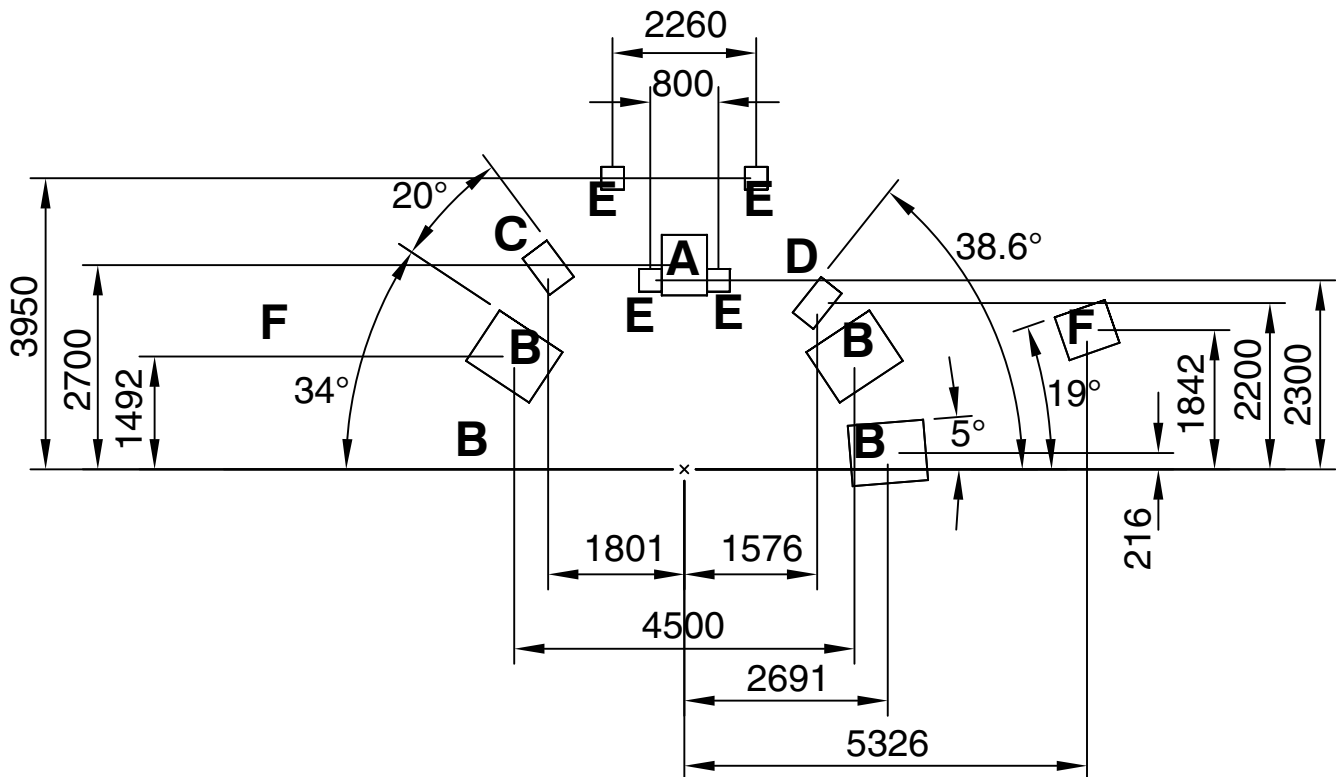


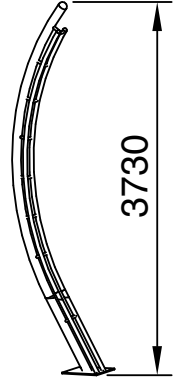
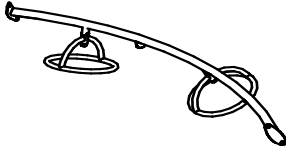
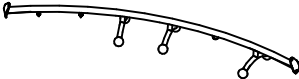
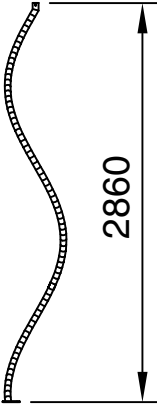
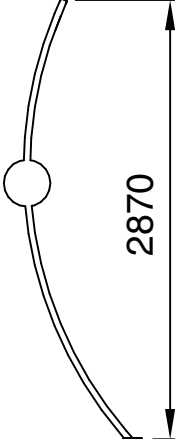
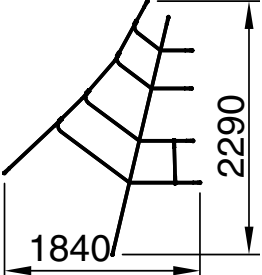
# NXVS3

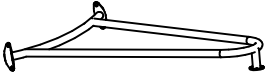
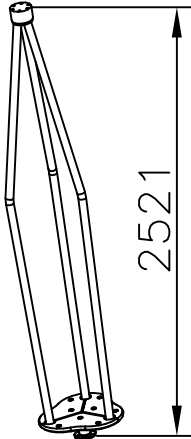

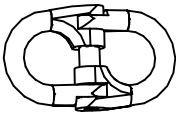

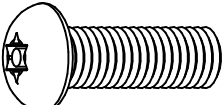
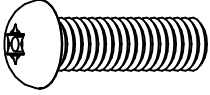
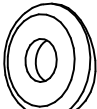


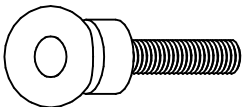
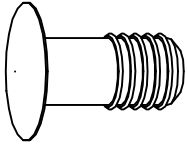
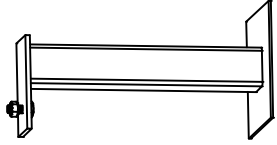

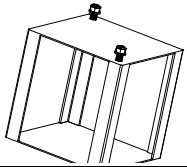
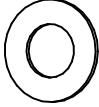
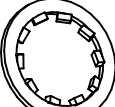
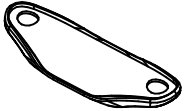
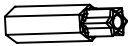
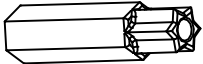
REF		L x W x D
'A'	m	0.80 x 0.60 x 0.83
'B'	m	1.00 x 0.80 x 0.83
'C'	m	0.40 x 0.60 x 0.60
'D'	m	0.35 x 0.60 x 0.60
'E'	m	0.30 x 0.30 x 0.43
'F'	m	0.70 x 0.60 x 1.065

## TYPE 3 101/144

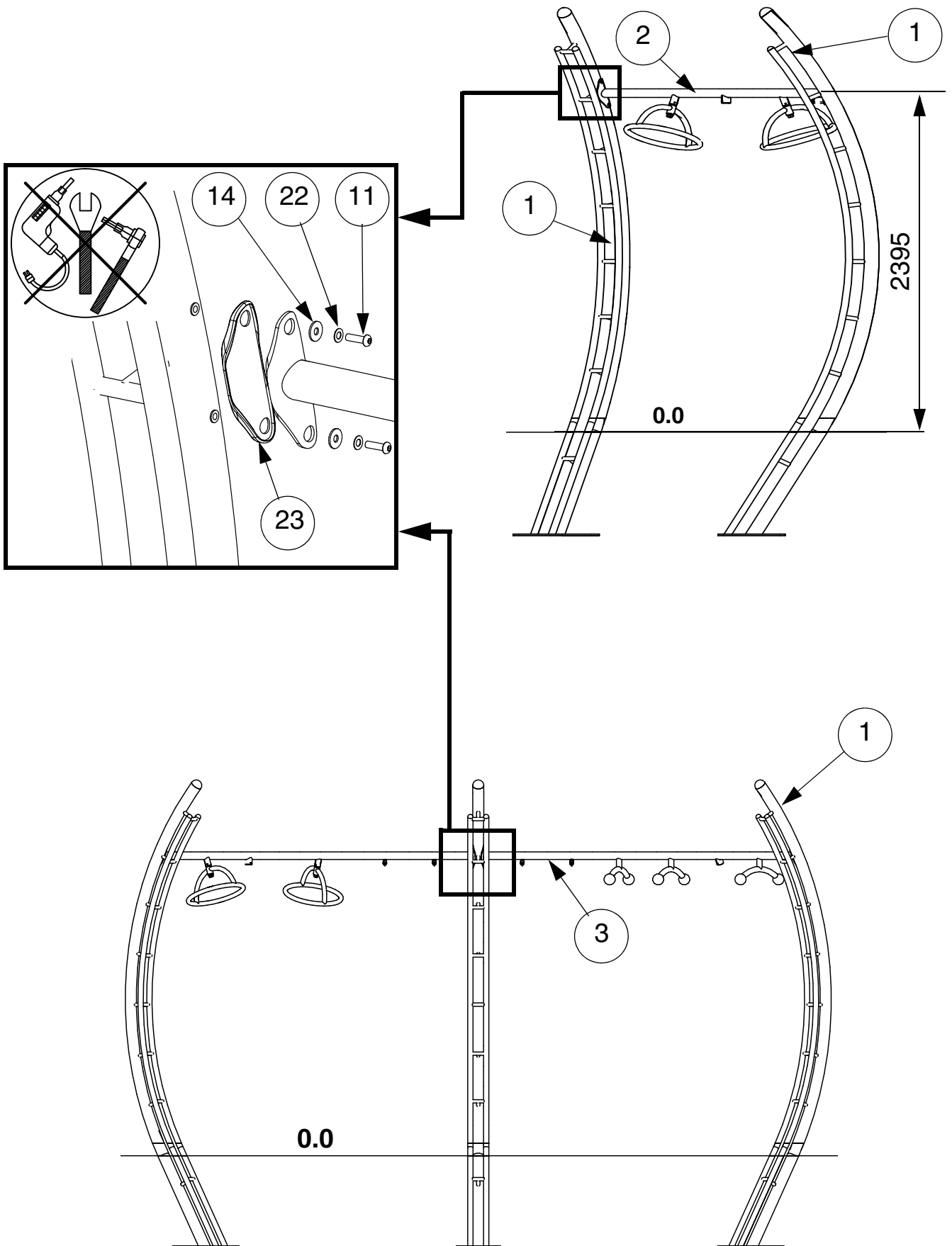


ITEM	REF.		NXVS3	NXVE3	kg
1	38000001		4		66.000
2	38003010		1		26.000
3	38003311		1		22.000
4	38003050		1		15.000
5	38003350		1		19.000
6	38008510		2		8.000

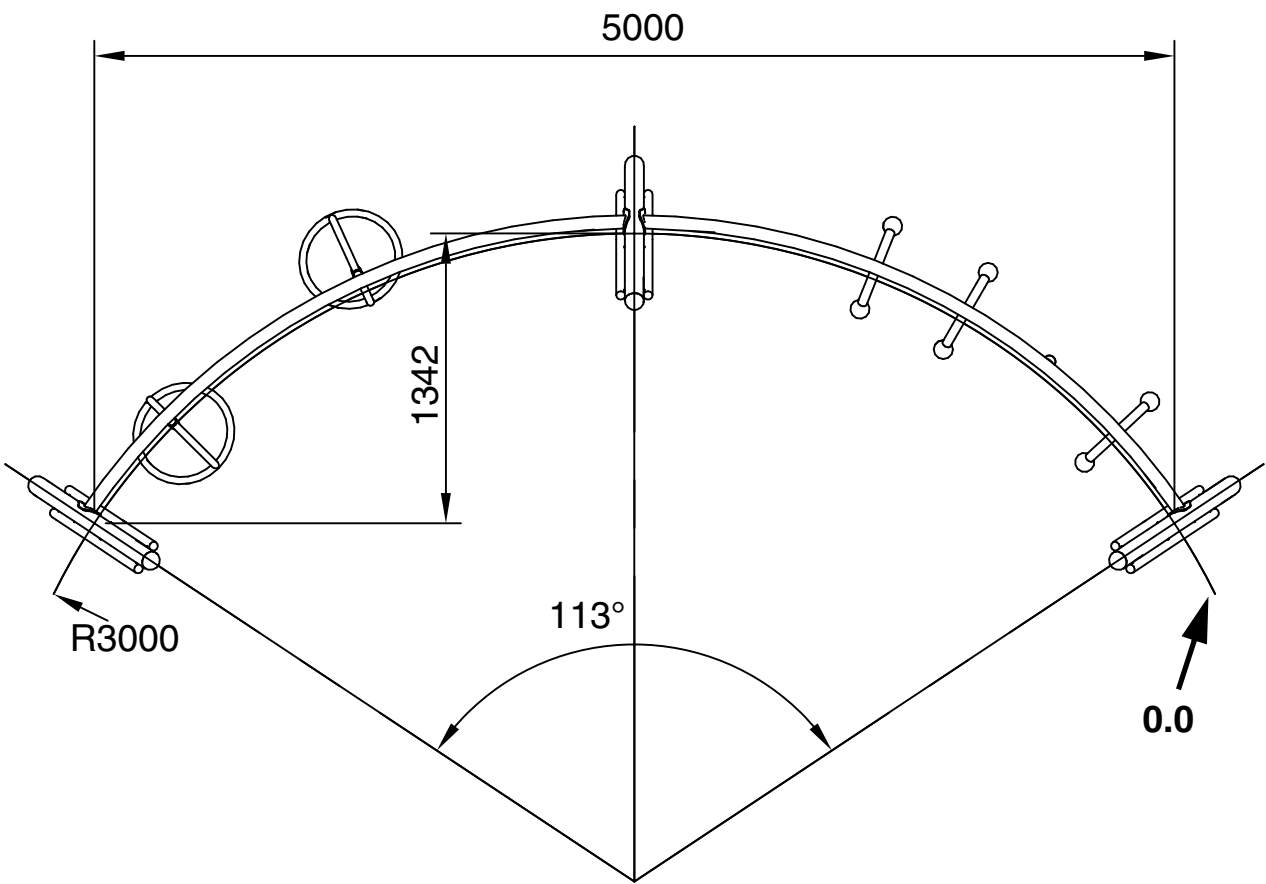
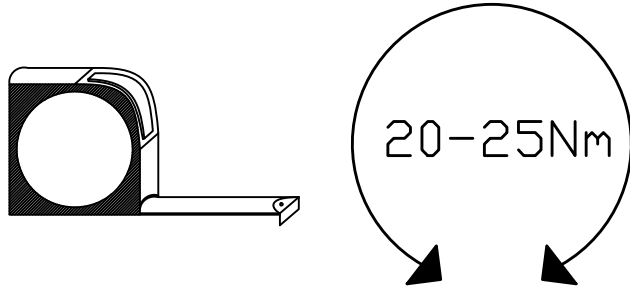
ITEM	REF.		NXVS3	NXVE3	kg
7	38007010			1	38.000
8	38007030			1	43.500
9	38007070			1	41.000
10	15715000		15	19	0.100
11	10121040	 M10 X 40		12	0.037
12	10121030	 M10 X 30		12	0.032
13	10120620	 M6 X 20		2	0.009
14	38001019	 M10 12X32X6.5		12	0.002

ITEM	REF.		NXVS3	NXVE3	kg
15	15711010	 M10	6		0.105
16	19024501		70		0.001
17	SSGIL			2	2.200
18	38008027		4		1.500
19					
20	38000002			4	26.000
21	10291000	 M10 11X21X1	12		0.002
22	10301000	 M10 12X18X1	24		0.001
23	19023801		6		0.080
24	10120600	 T30 M6	2		-
25	10121000	 T45 M10	4		-

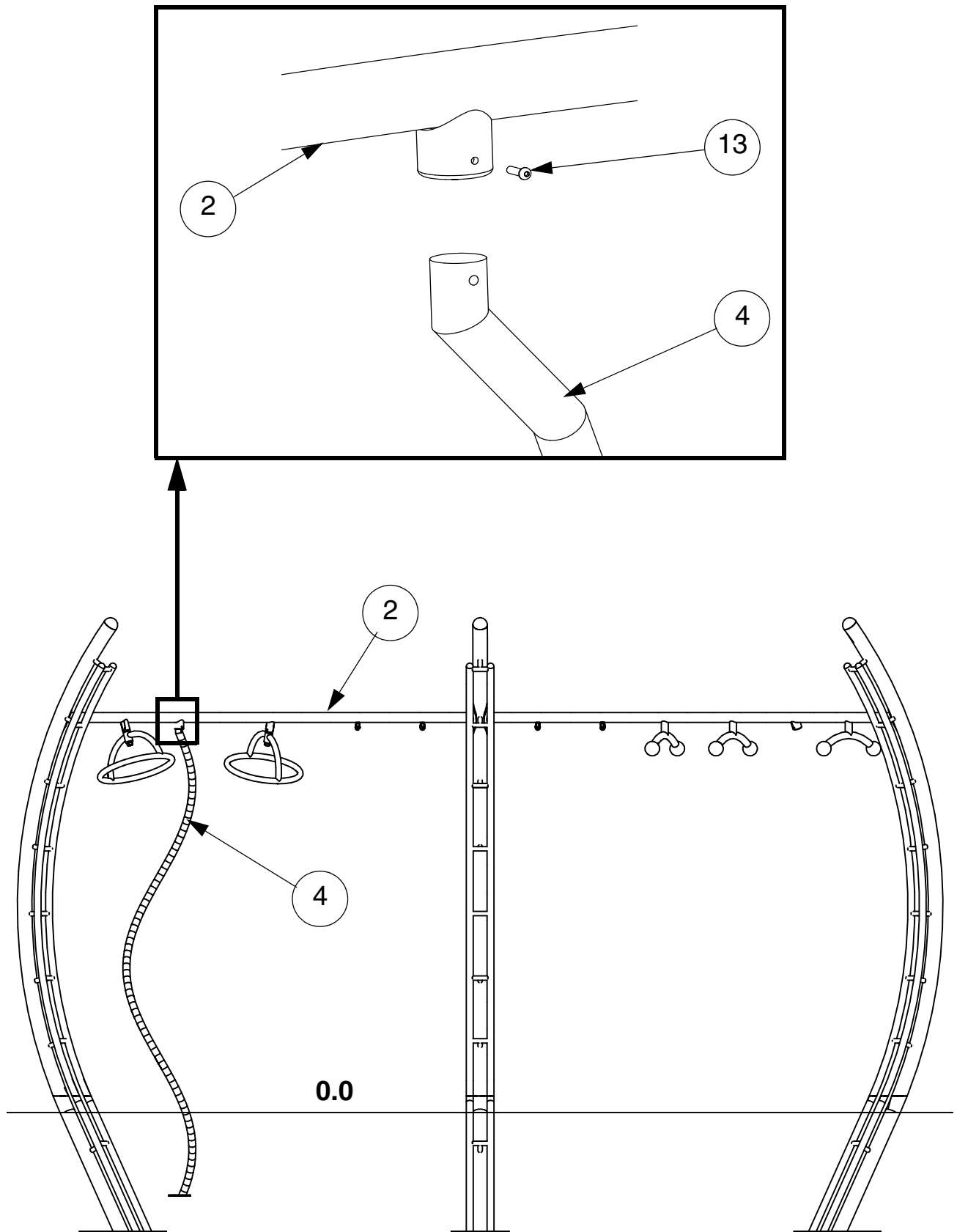
# STEP 1



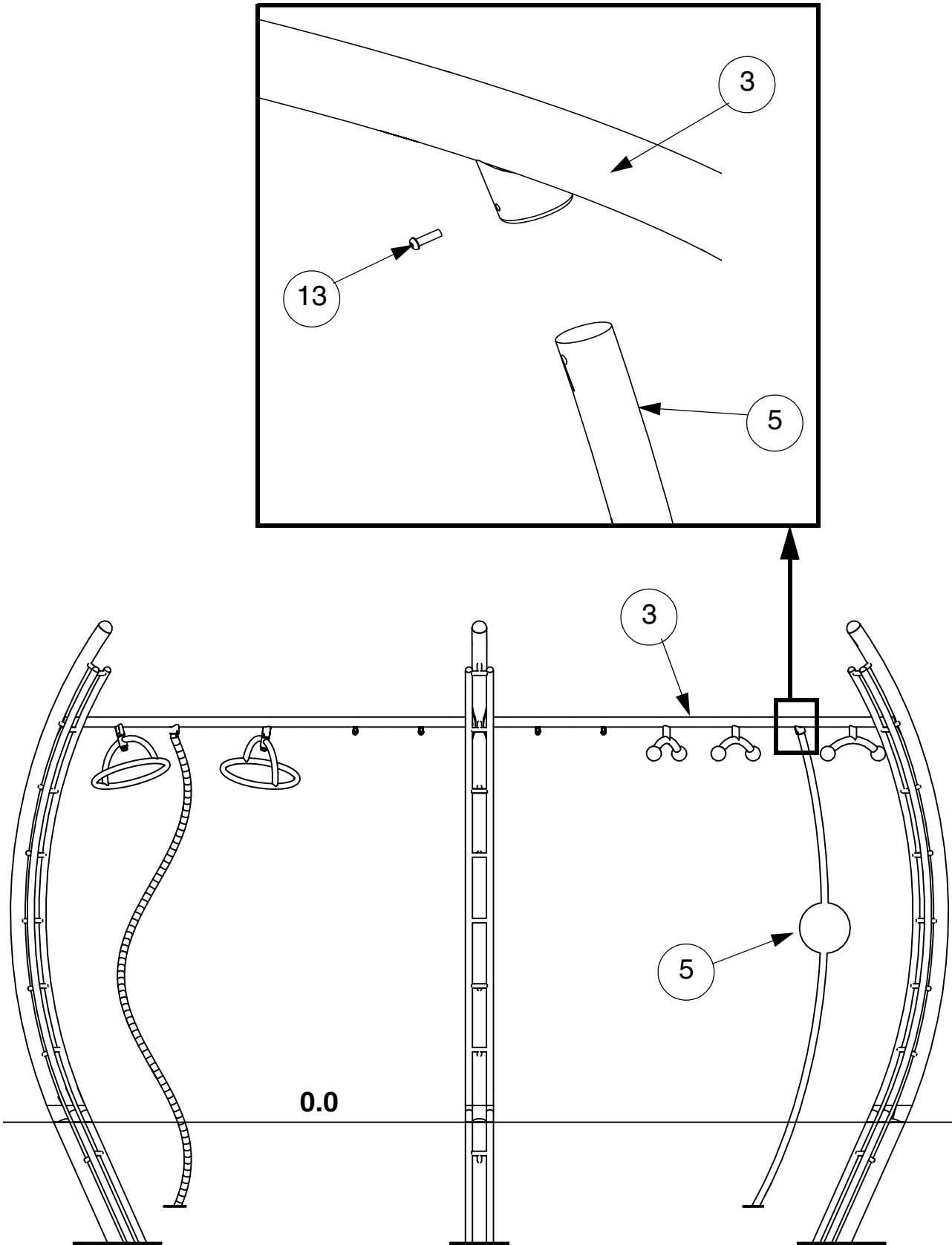
# STEP 2



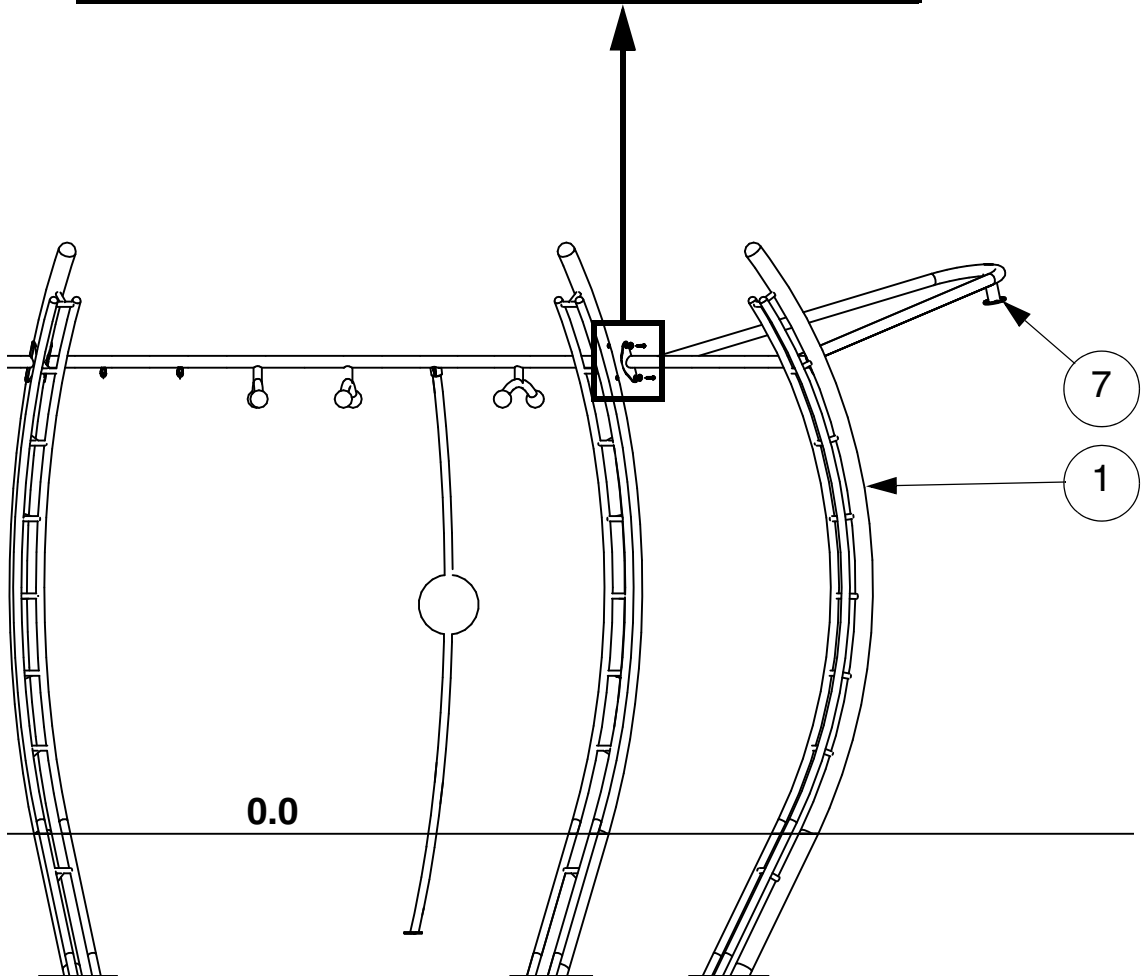
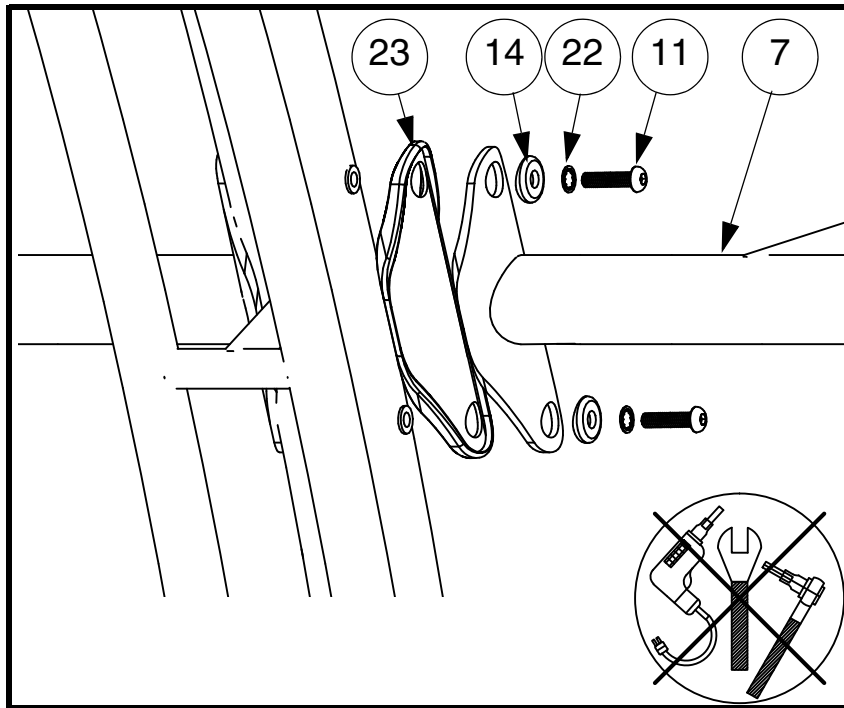
# STEP 3



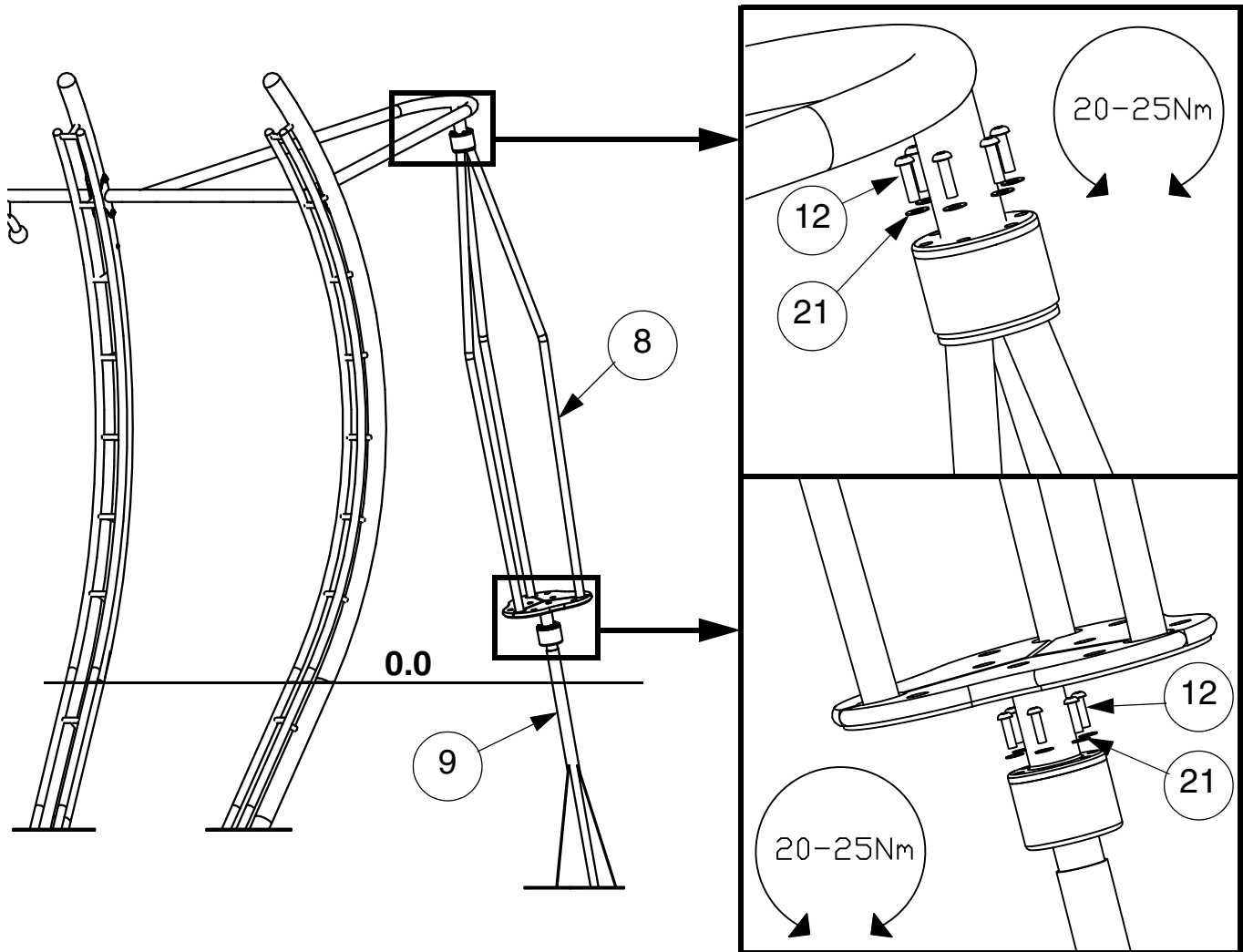
# STEP 4



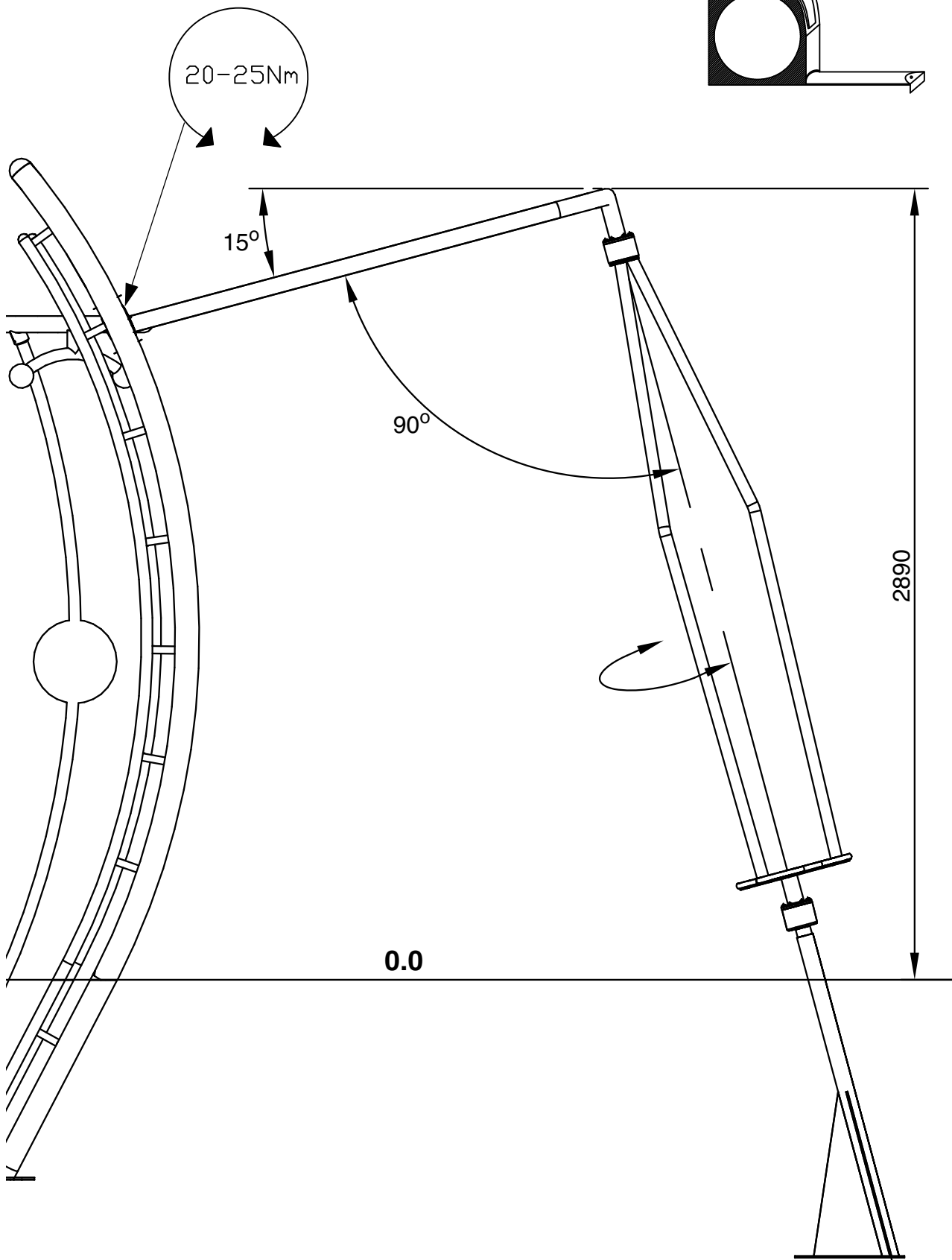
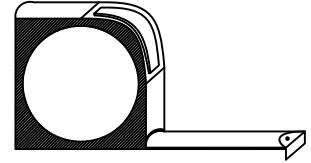
# STEP 5



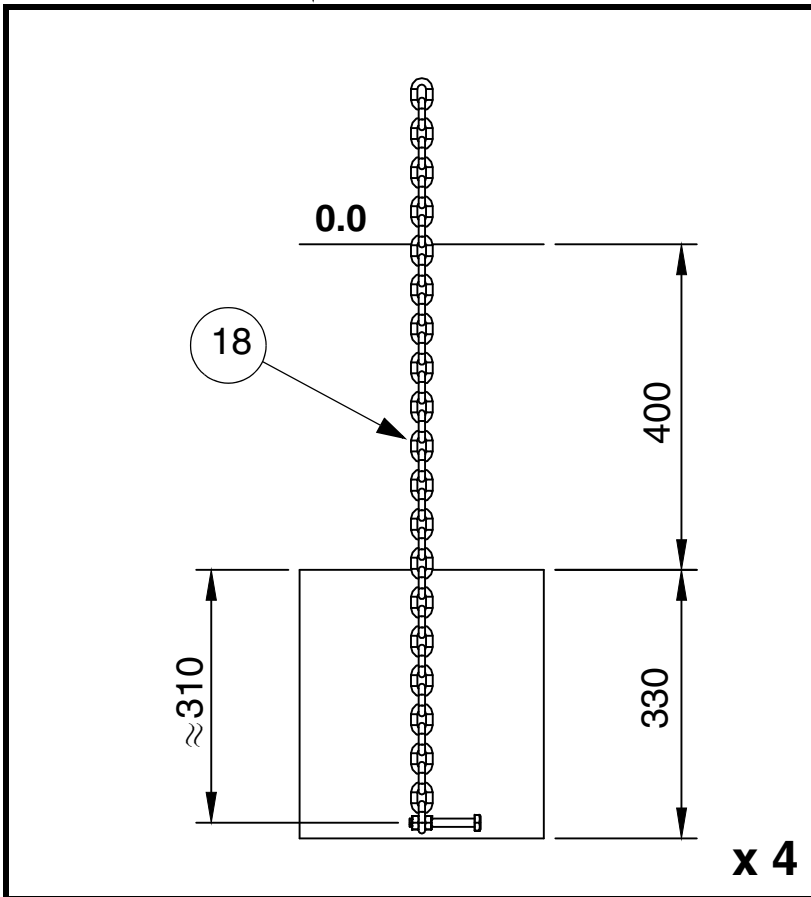
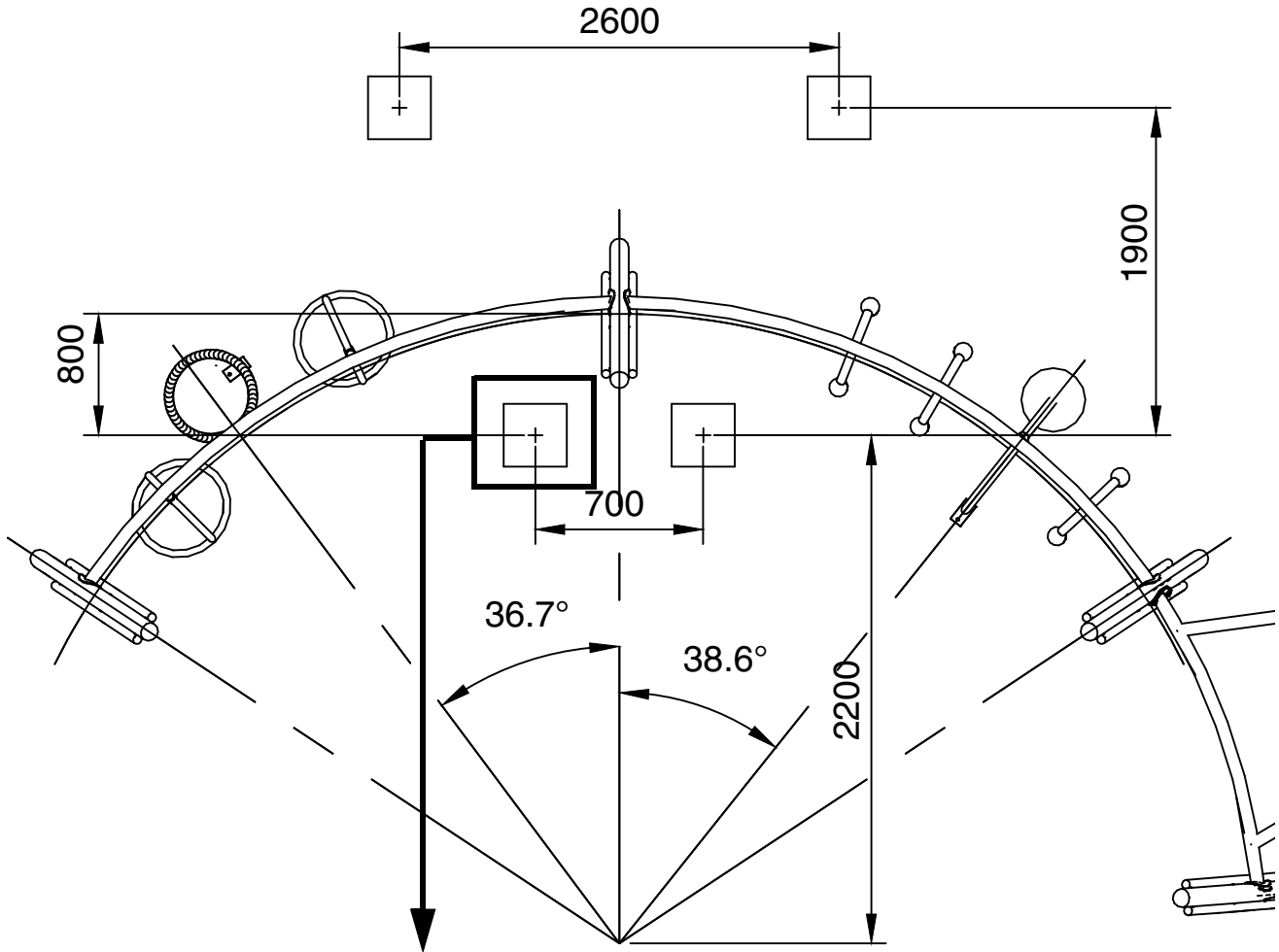
# STEP 6



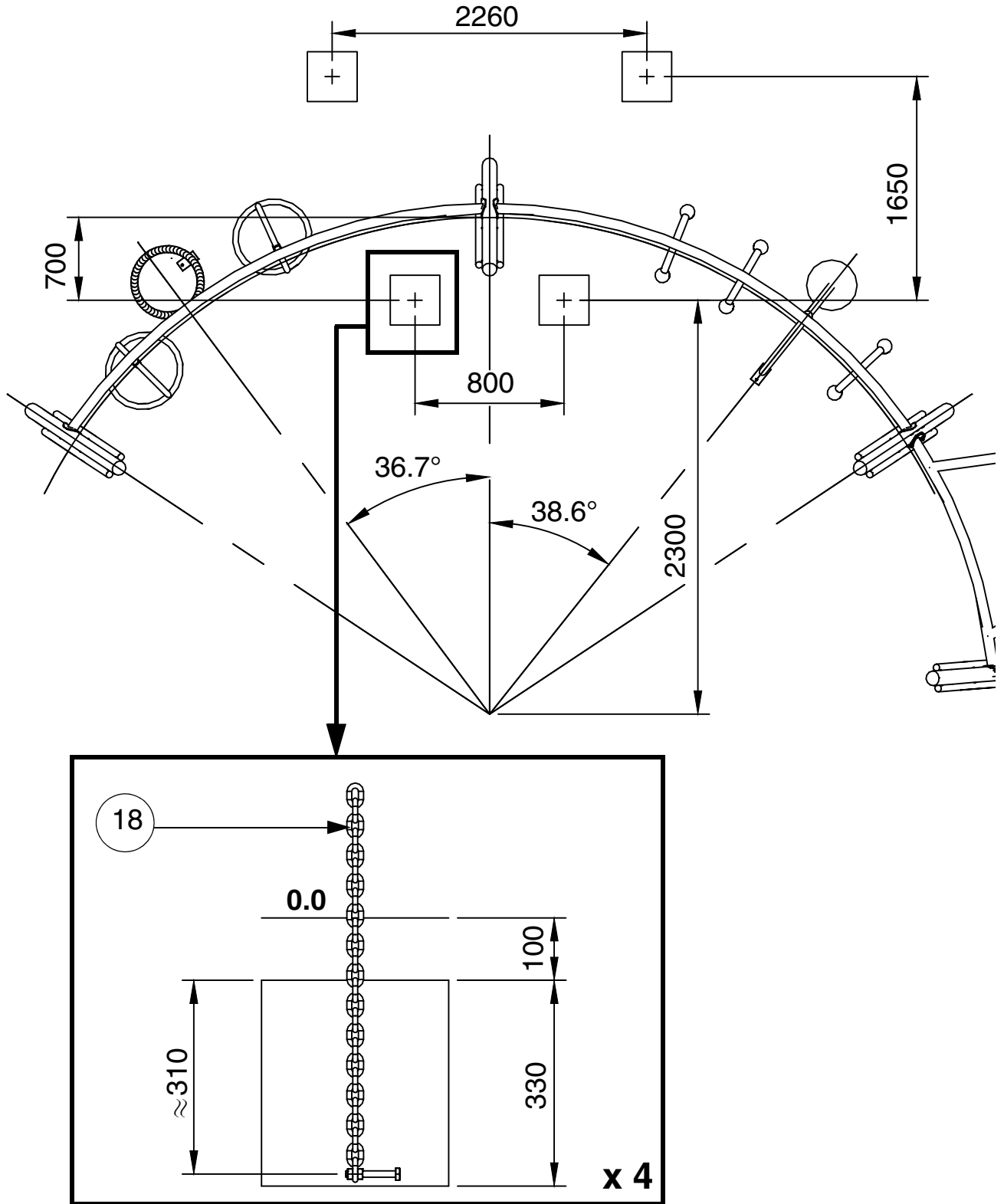
# STEP 7



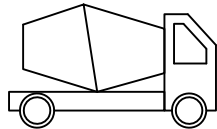
# STEP 8A TYPE 1 & 2 101/144



**STEP 8B TYPE 3**  **101/144**

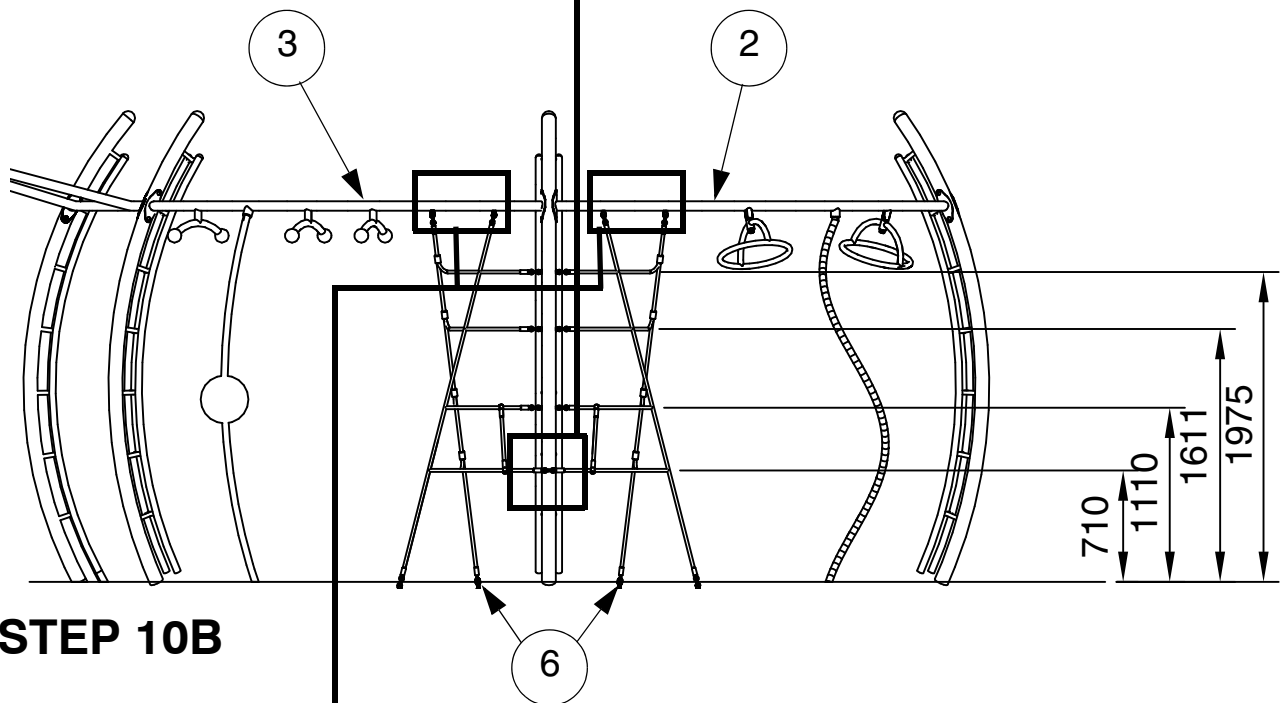
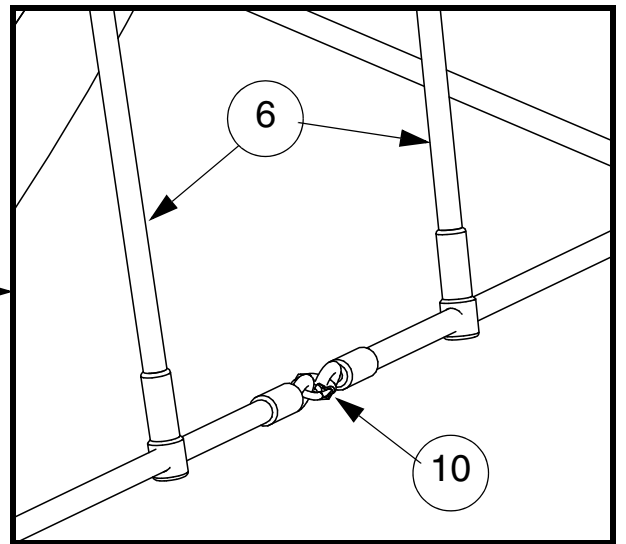


## STEP 9

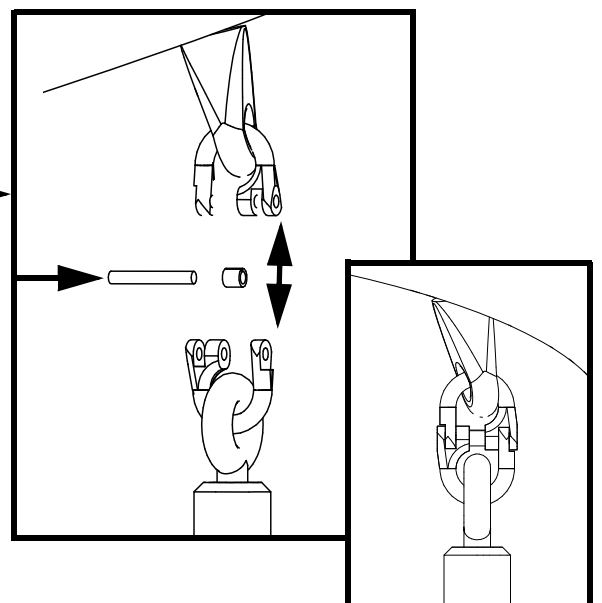
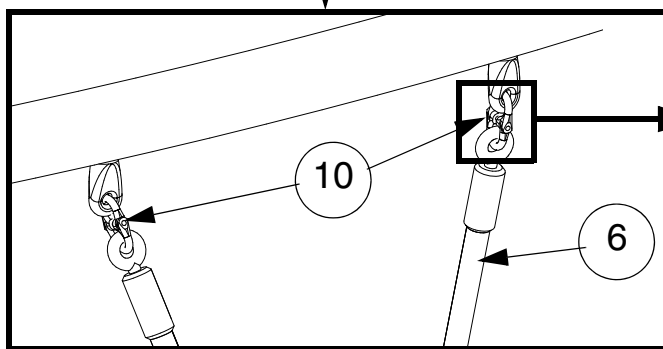

S2 (50mm) ≥C20-25 🕒 7 x 24h
👁️ 101



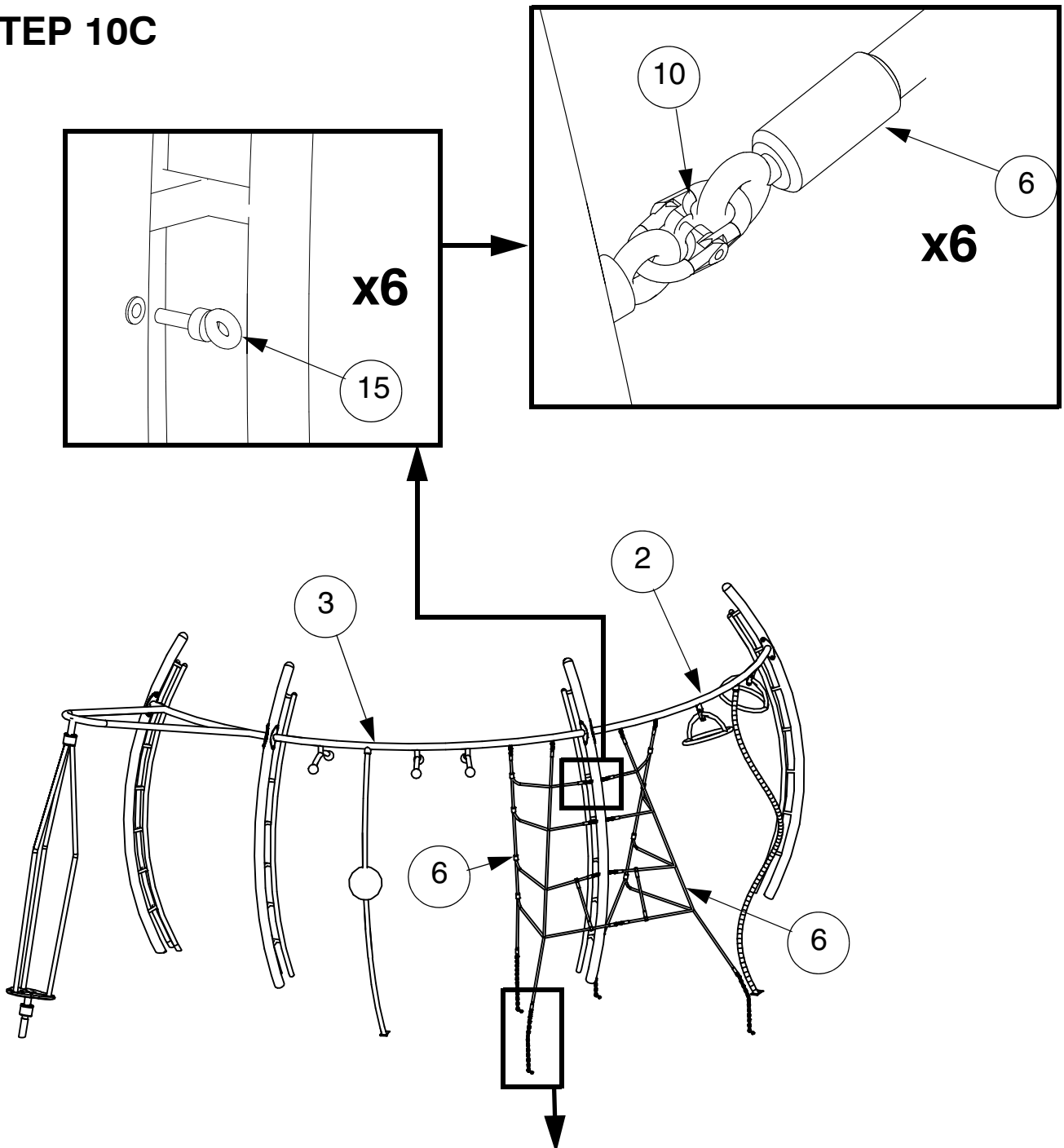
### STEP 10A



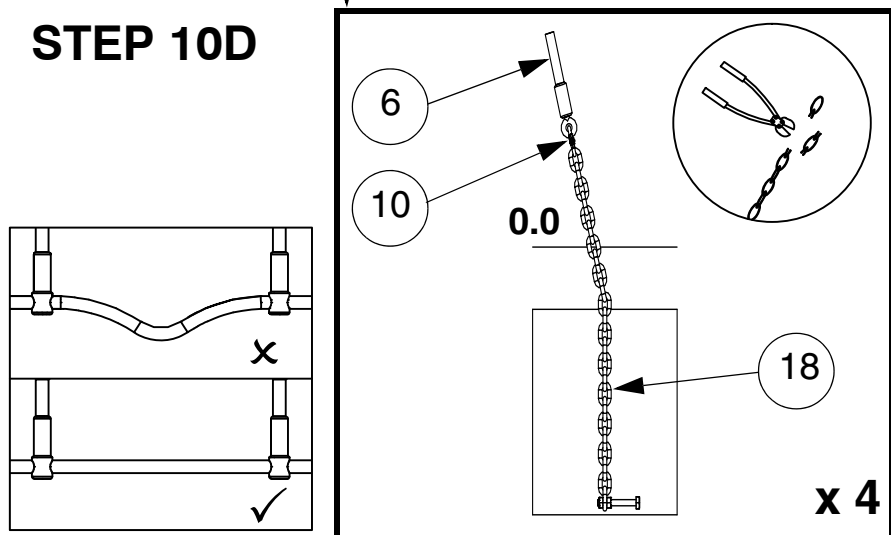
### STEP 10B



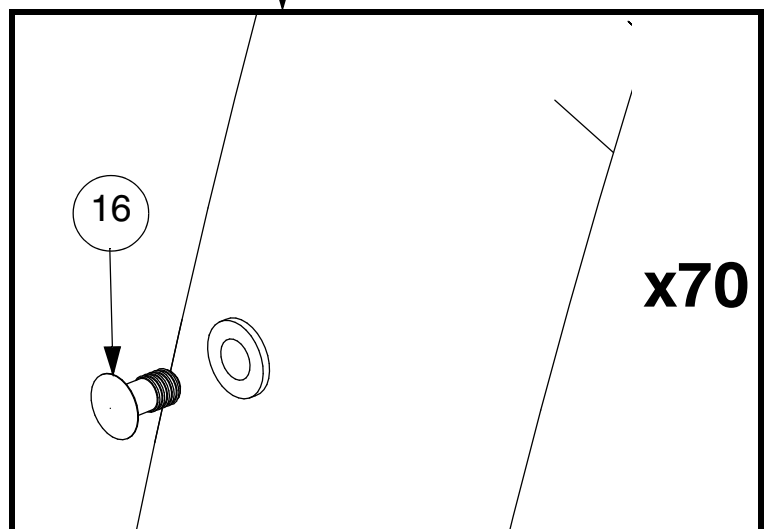
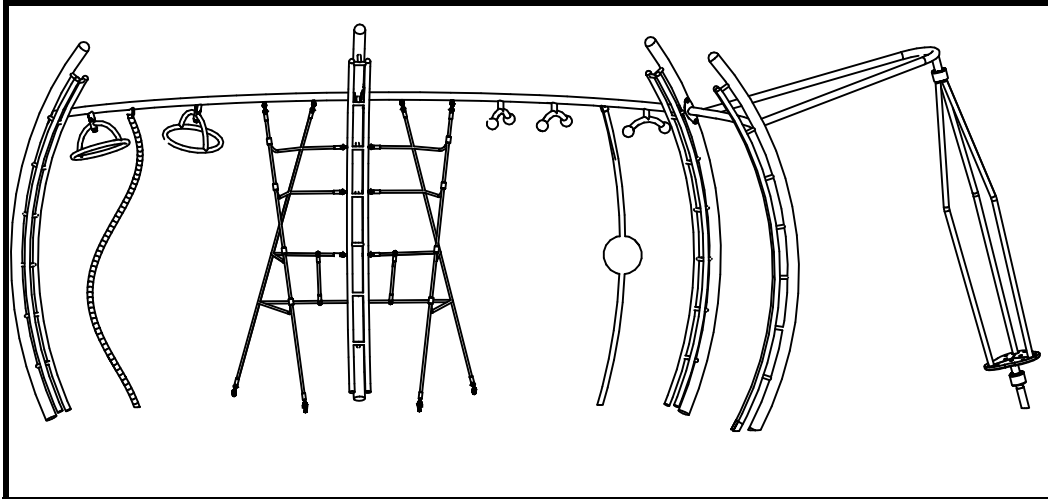
# STEP 10C

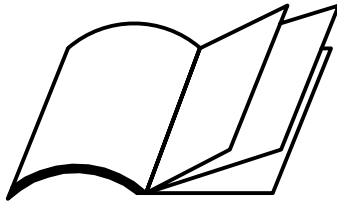


# STEP 10D



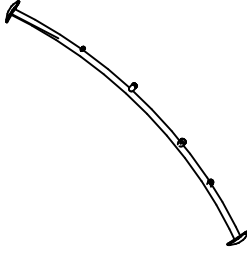

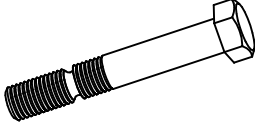
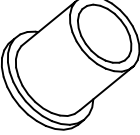
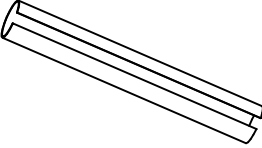
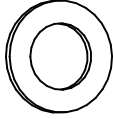
# STEP 11

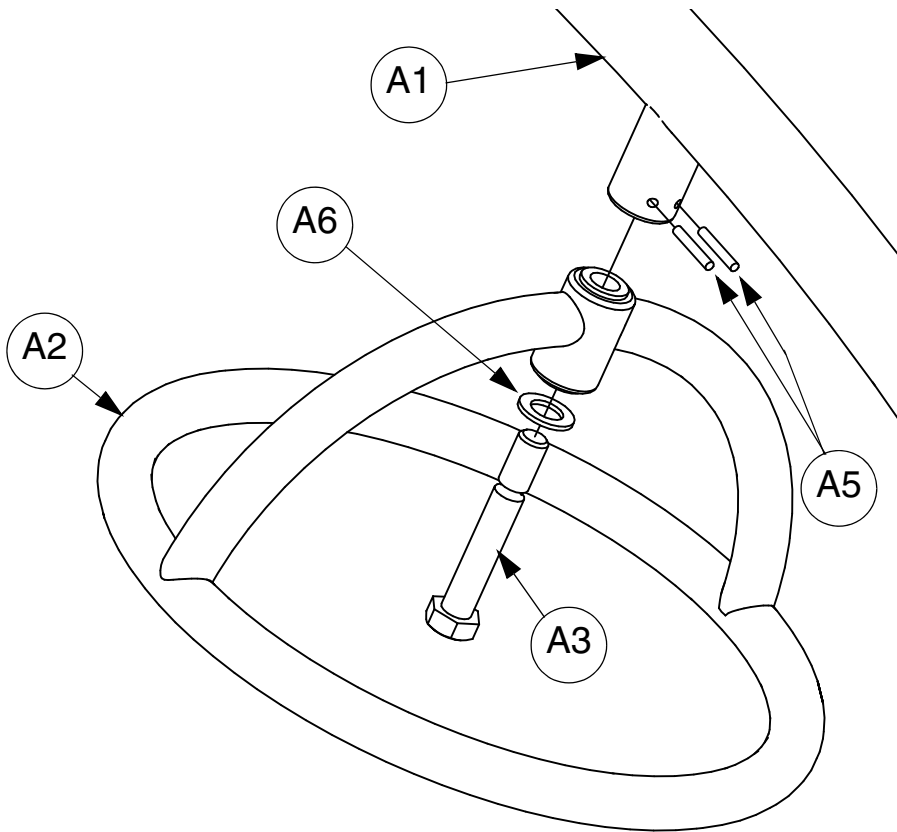
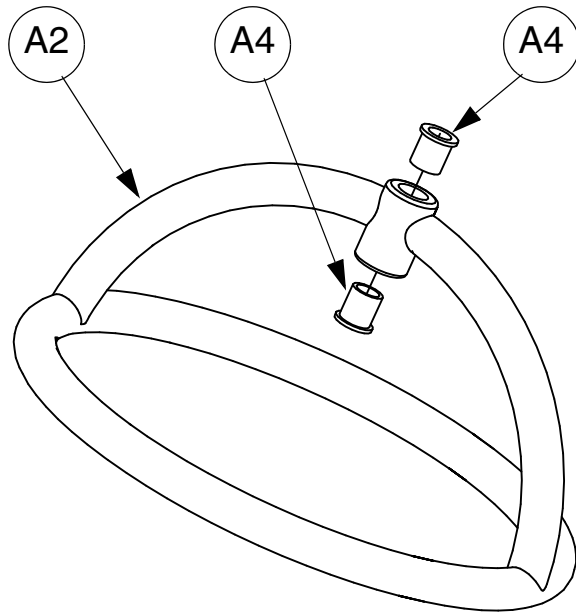




## Appendix A:

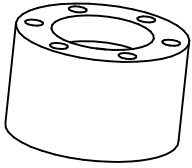
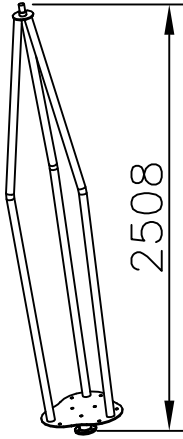
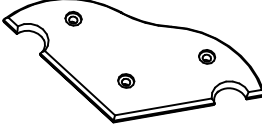
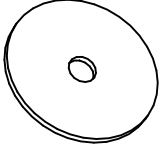
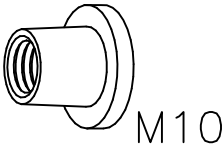
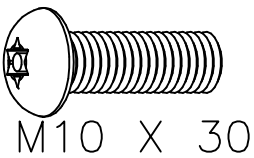

REF 38003010

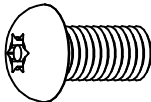
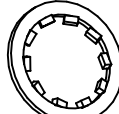
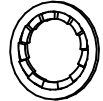
ITEM	REF.		QTY.	kg
A1	38003011		1	15.000
A2	38003017		2	5.000
A3	38003019		2	0.500
A4	15032620		4	0.050
A5	10310640		4	0.001
A6	10292000	 M20 22X37X3	2	0.005

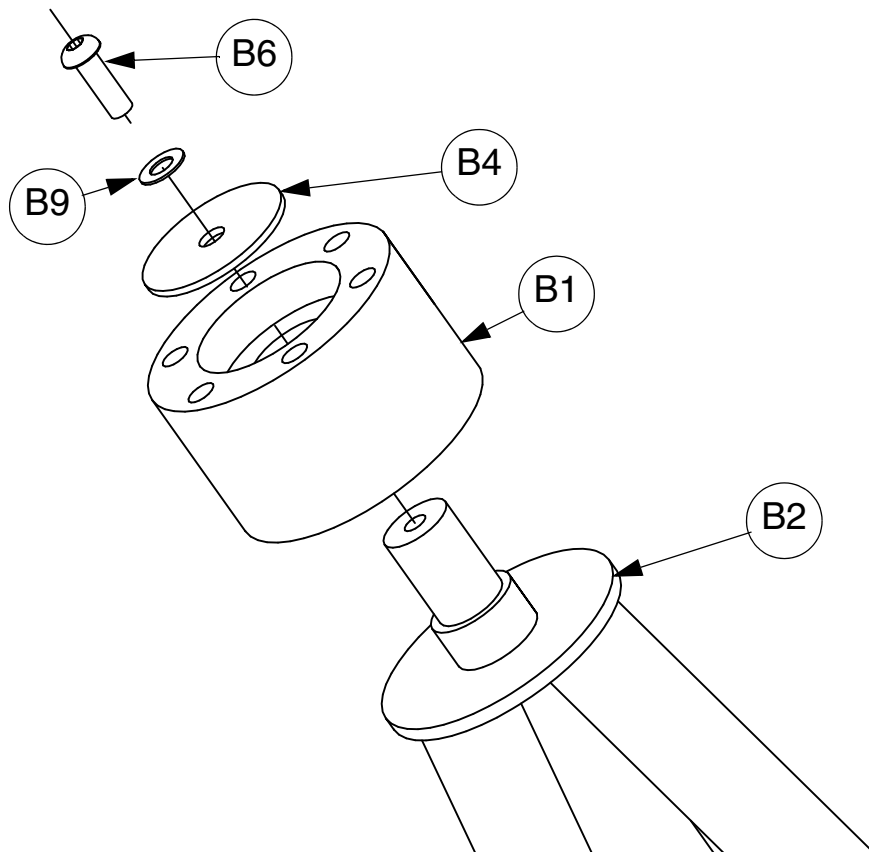


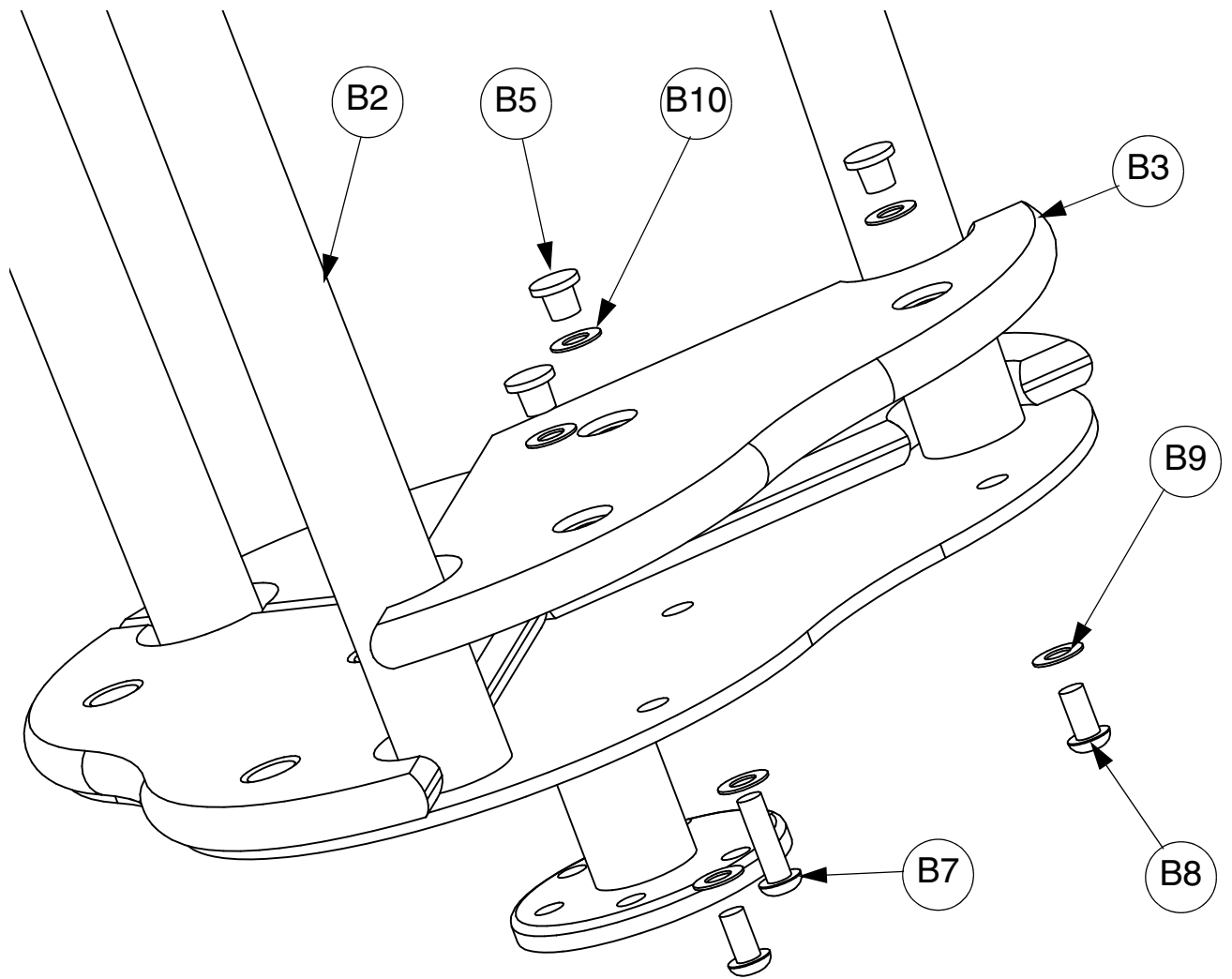
## Appendix B:

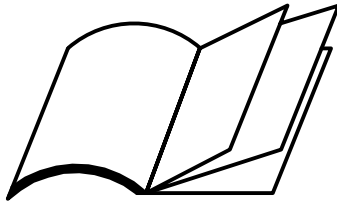
## REF 38007030

ITEM	REF		QTY.	kg
B1	38007031		1	5.000
B2	38007034		1	35.000
B3	38007039		3	1.000
B4	38007054		1	0.080
B5	10931000		9	0.006
B6	10121030		1	0.028
B7	10121035		3	0.032

ITEM	REF		QTY.	kg
B8	10121020	 M10 X 20	6	0.020
B9	10301000	 M10 12X18X1	10	0.002
B10	10301200	 M12 13X20X1	9	0.002

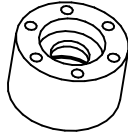
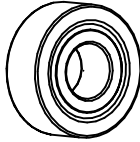
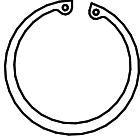


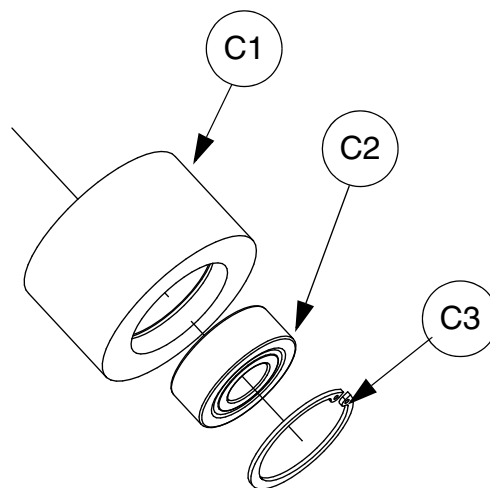


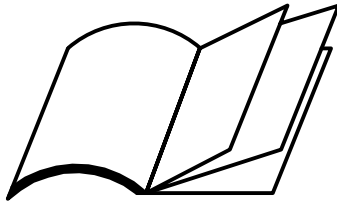


**Appendix C:**

**REF 38007031**

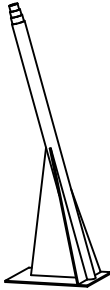
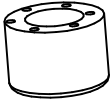
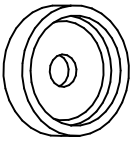
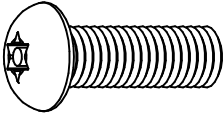
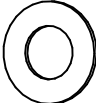
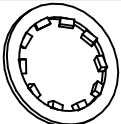
ITEM	REF		QTY.	kg
C1	38007032		1	4.500
C2	38007033		1	0.510
C3	10060072		1	0.001

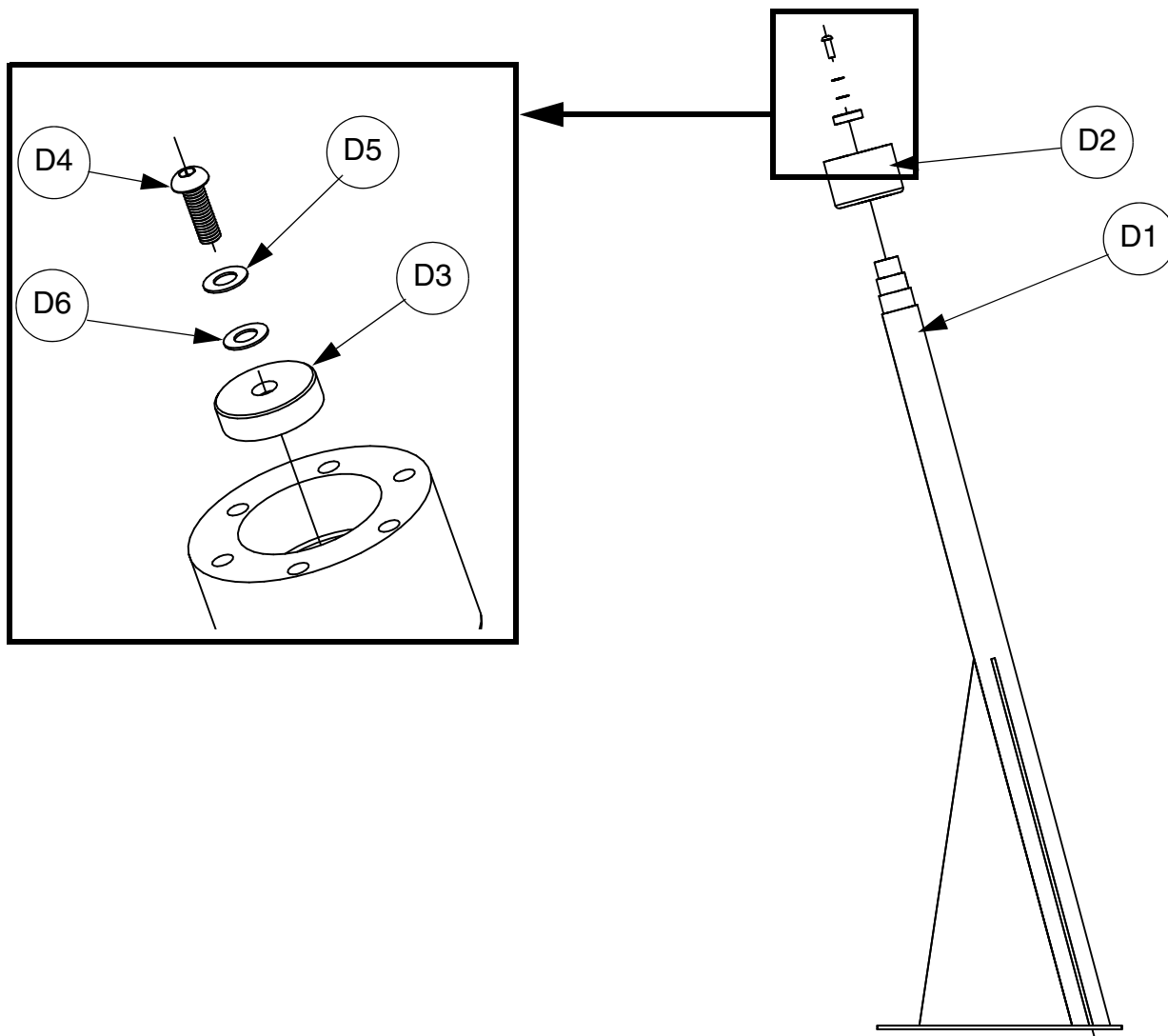




## Appendix D:

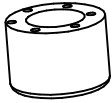



### REF 38007070

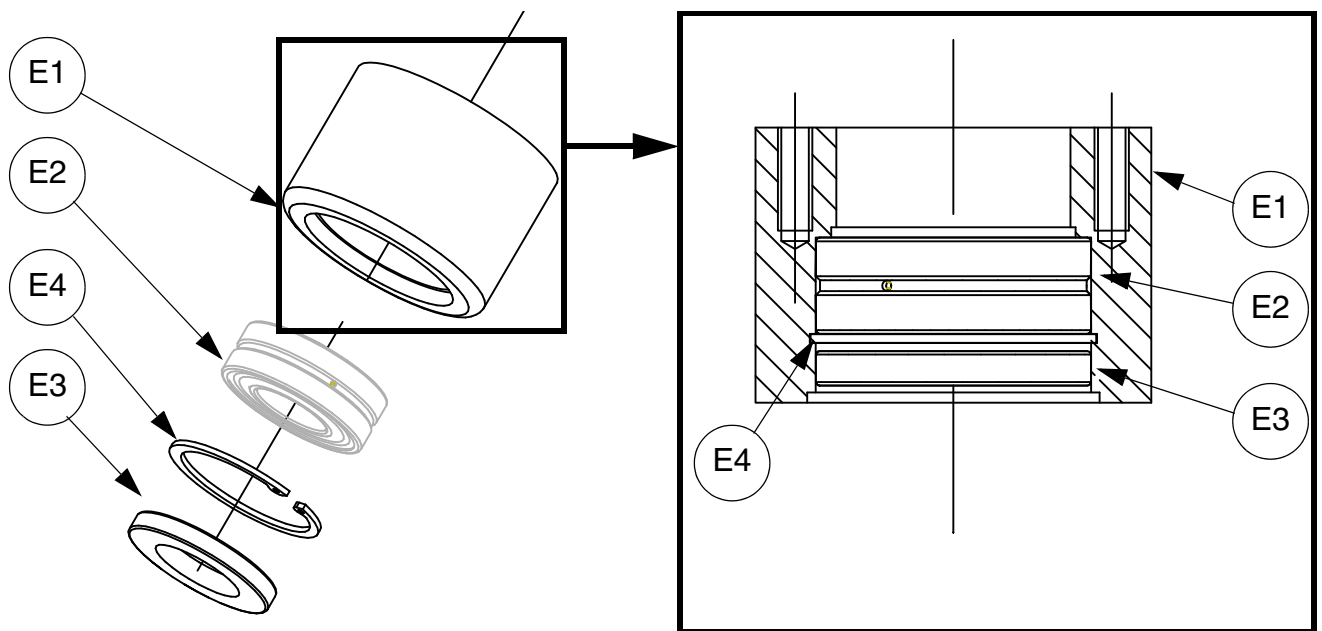
ITEM	REF.		QTY	kg
D1	38007071		1	32.000
D2	38007074		1	7.000
D3	38007073		1	0.100
D4	10121030	 M10 X 30	1	0.028
D5	10291000	 M10 11X21X1	1	0.002
D6	10301000	 M10 12X18X1	1	0.002




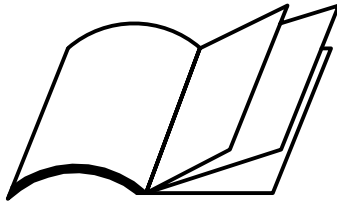
**Appendix E:**

**REF 38007074**

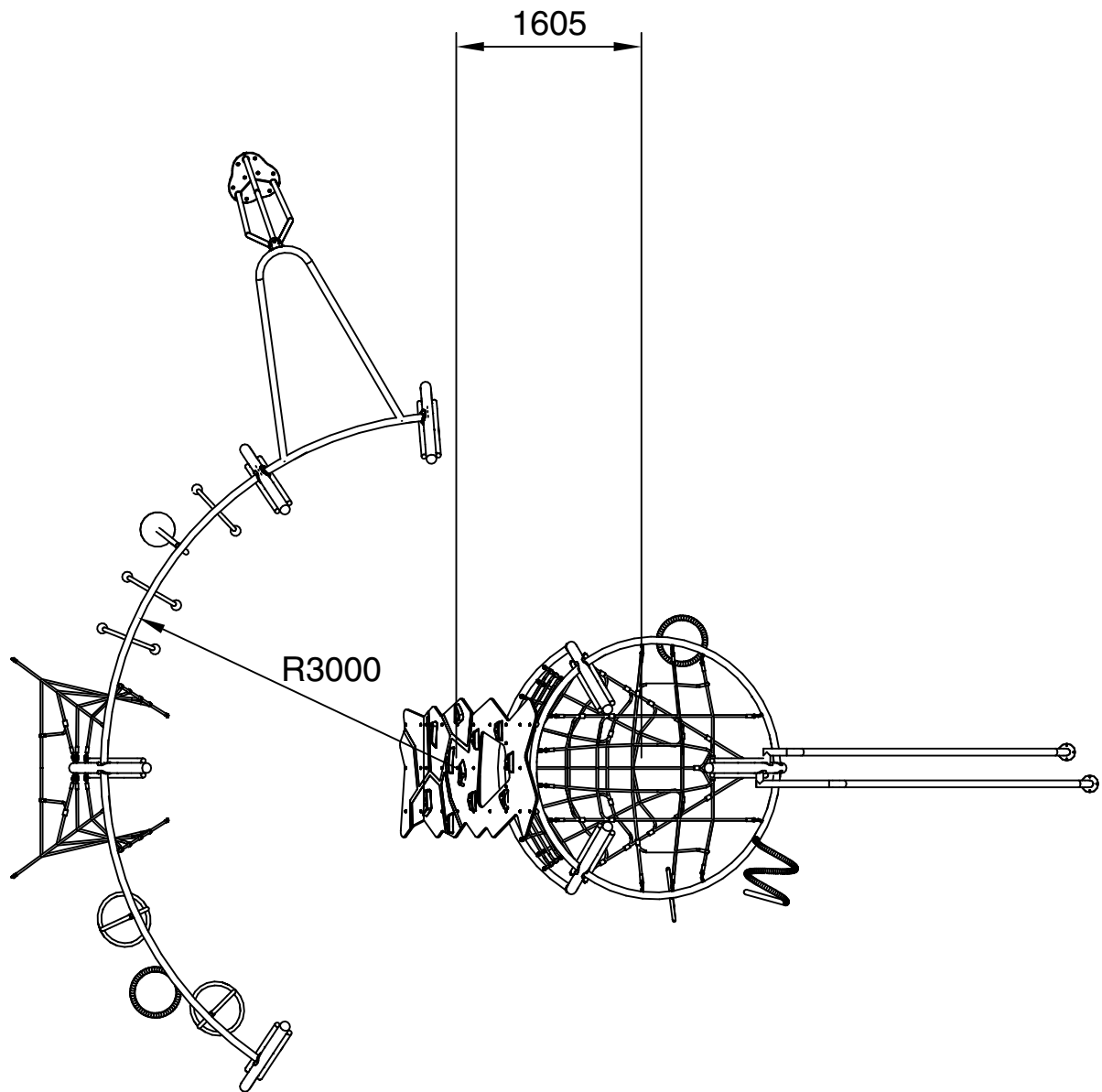
ITEM	REF.		QTY	kg
E1	38007082		1	7.000
* E2	71022208		1	0.520
E3	38007076		1	0.015
E4	10060032		1	0.010



* E2	38007075		1	0.520
---------	----------	---	---	-------



**Appendix F:**  
**NXV\*4 NXC\*\***



**NXV\*4 NXQ\*2**

