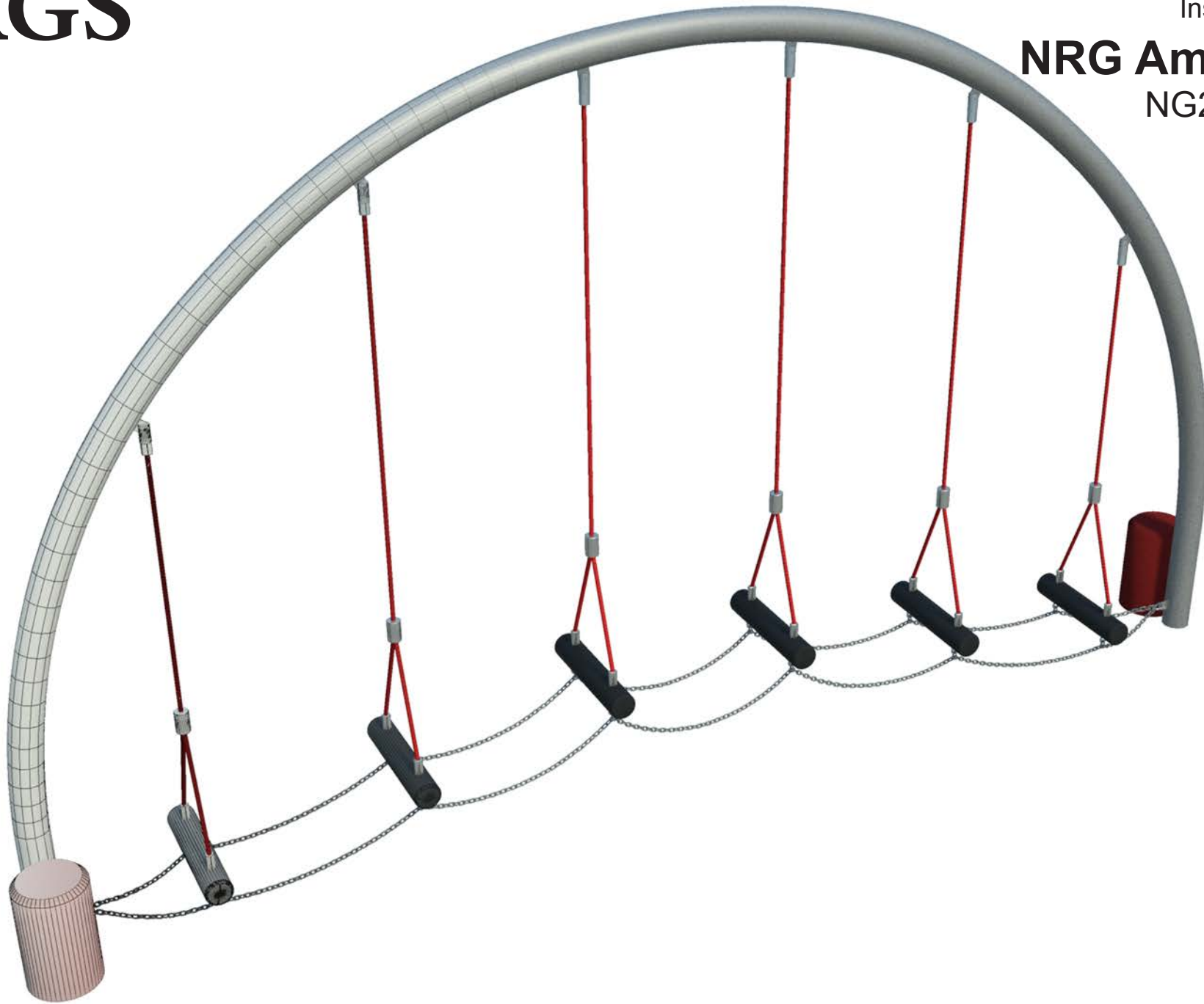
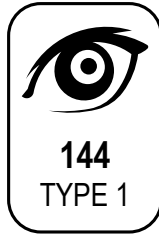


NRG Amazon Basin NG201S & NG201B



1 **42 kg!** **78803110**
2 No
 Amazon Basin Half Arch



2 **78804036**
1 No
 NRG Arch Spigot

3 **10131030**
4 No
 M10x30mm Resistorx

4 **10301001**
4 No
 M10 Nylon Washer

5 **78804043**
2 No
 NRG Joint Cover



6 **10050540**
4 No
 M5x40mm Tech Screw

7 **78804031**
1 No
 Tube Clear Silicone Sealant



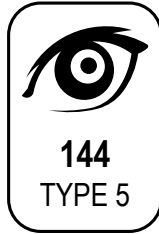
8 **RYBL400**
2 No
 400mm Red Bollard

9 **803704**
2 No
 400mm Bollard Fix Post

10 **RYADHBK**
1 No
 Bollard Adhesive

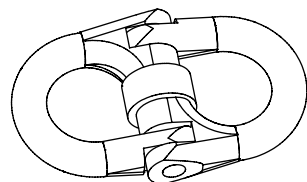
<http://www.alansonsuk.com/downloads.asp>

11 **78804001**
1 No
 Retraining Chain



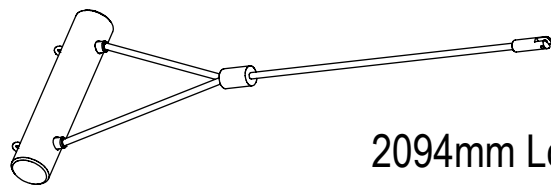
12 **109304**
2 No
 10mm D-Shackle

13



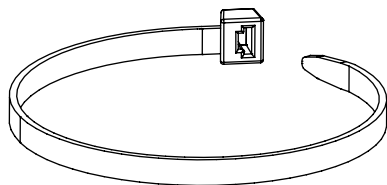
15716000
12 No
6mm Coupling Link

15



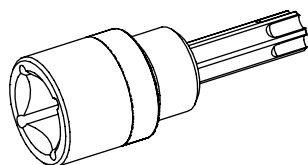
78805057
2 No
2094mm Long Rope Assy

17



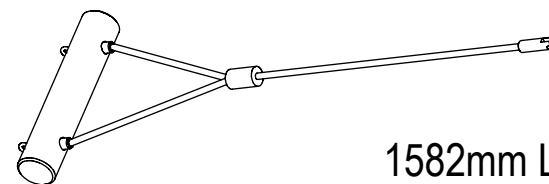
78804044
4 No
1220mm Long Cable Tie

19



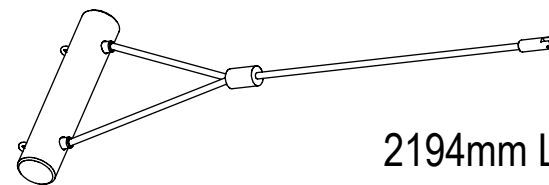
950103
1 No
M8 Resistorx Fixing Tool

14



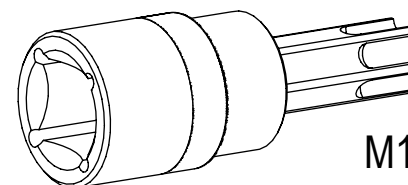
78805056
2 No
1582mm Long Rope Assy

16



78805058
2 No
2194mm Long Rope Assy

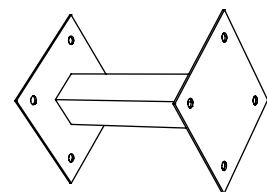
18



950100
1 No
M10 Resistorx Fixing Tool

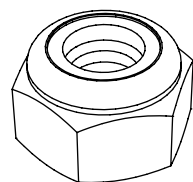


20



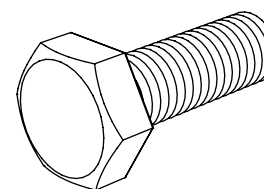
305802
4 No
Extension Unit

22



10321000
16 No
M10 Nyloc Nut

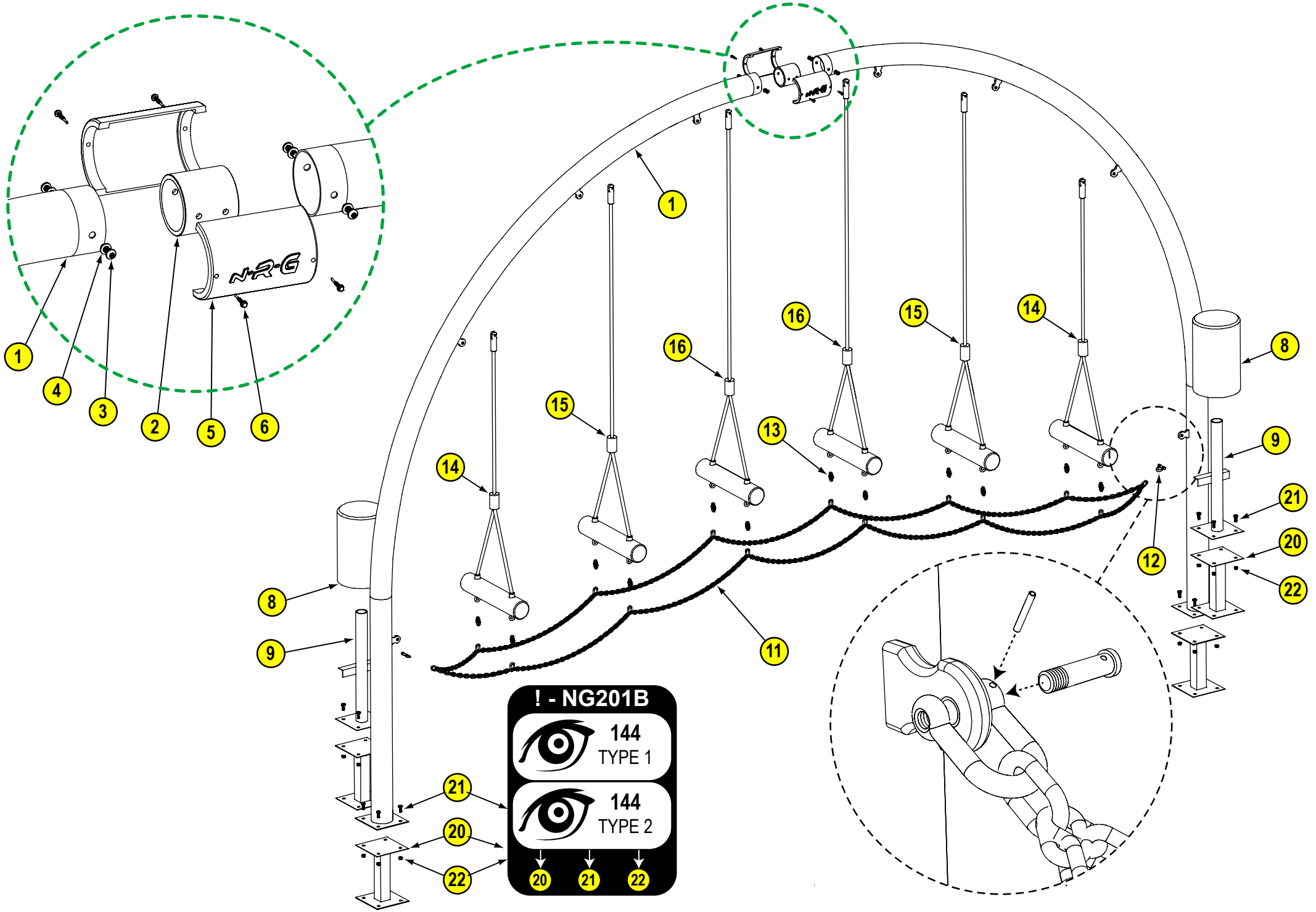
21

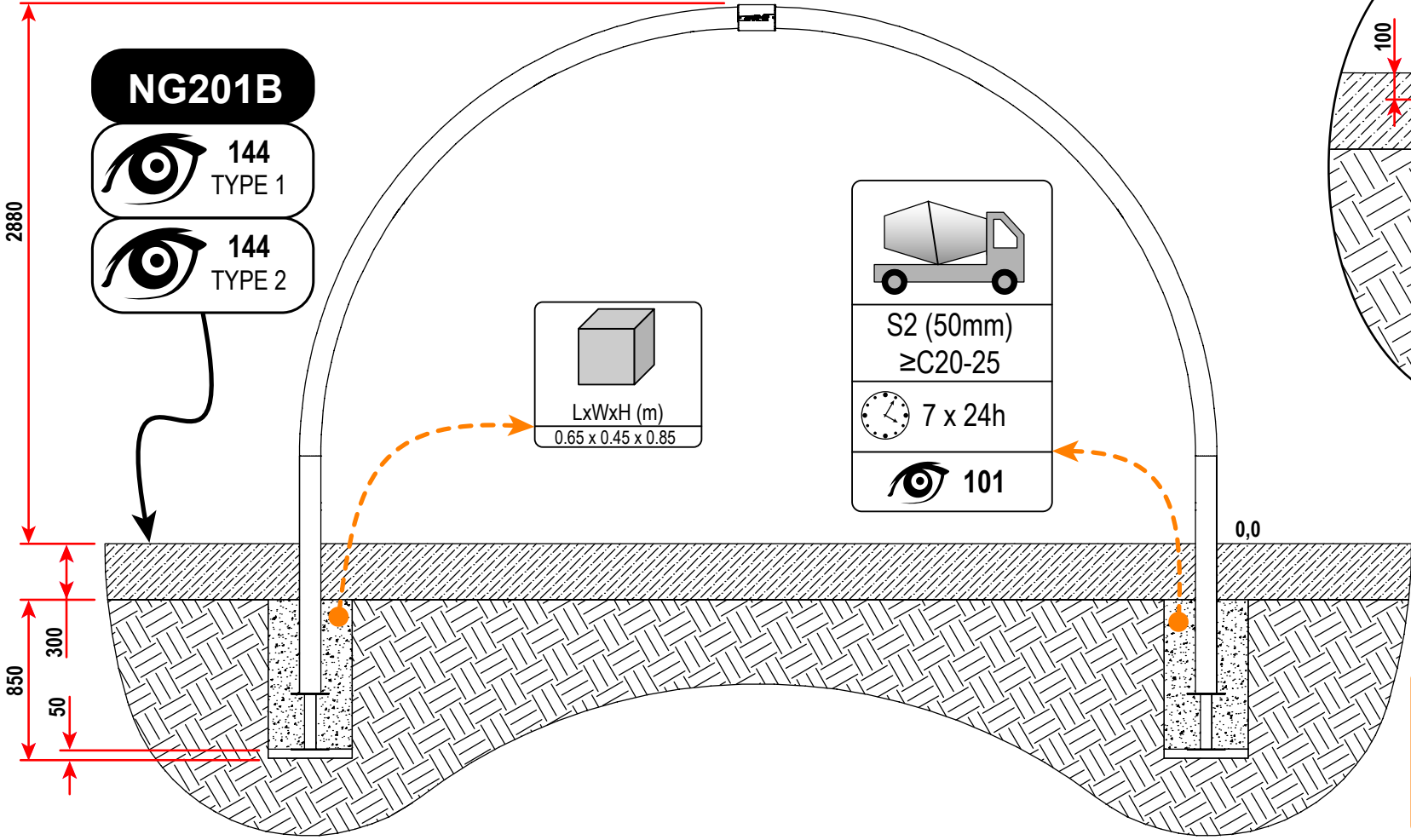
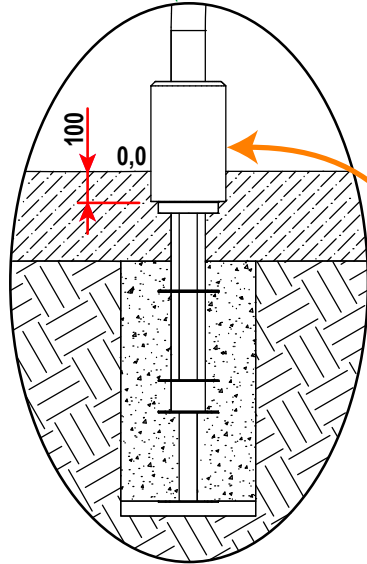
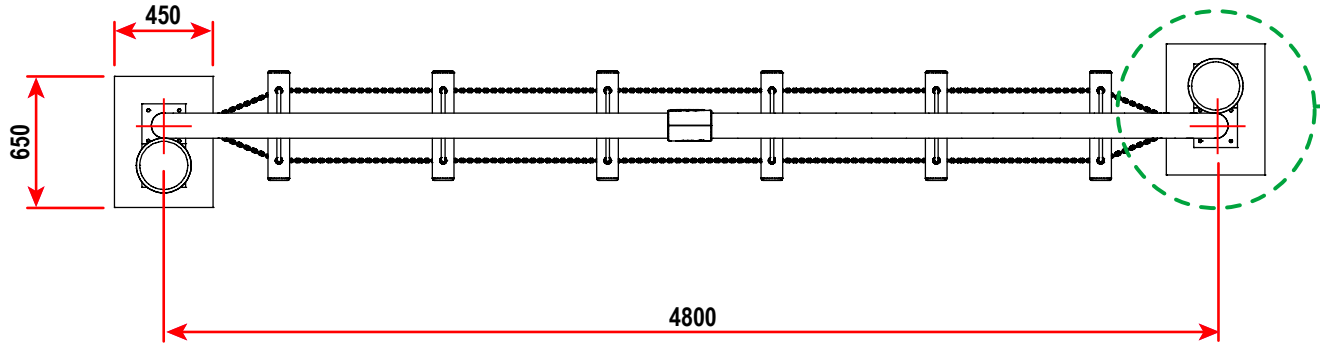
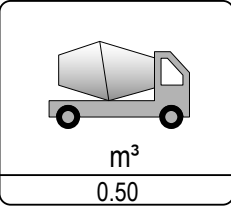


10231040
16 No
M10 x 40 Bolt

NG201B







NG201B

144
TYPE 1

144
TYPE 2

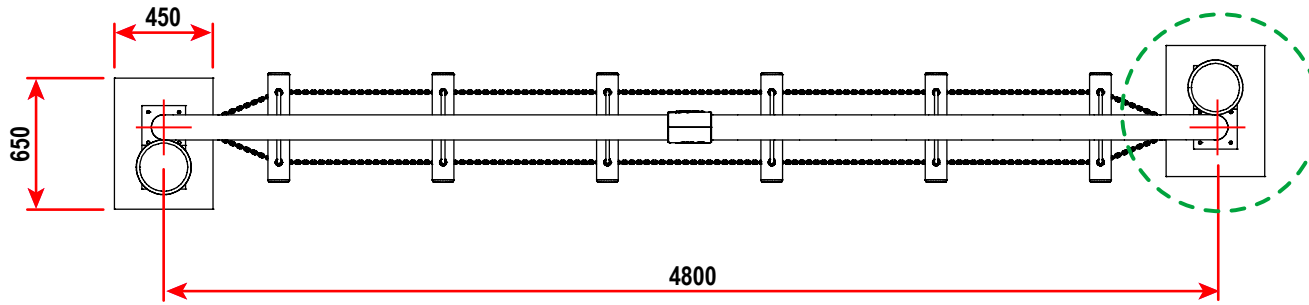
LxWxH (m)
0.65 x 0.45 x 0.85

S2 (50mm)
≥C20-25

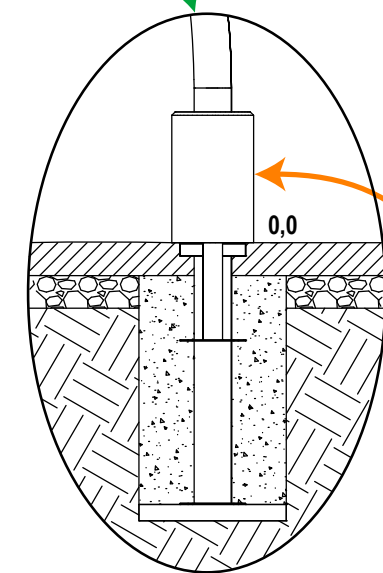
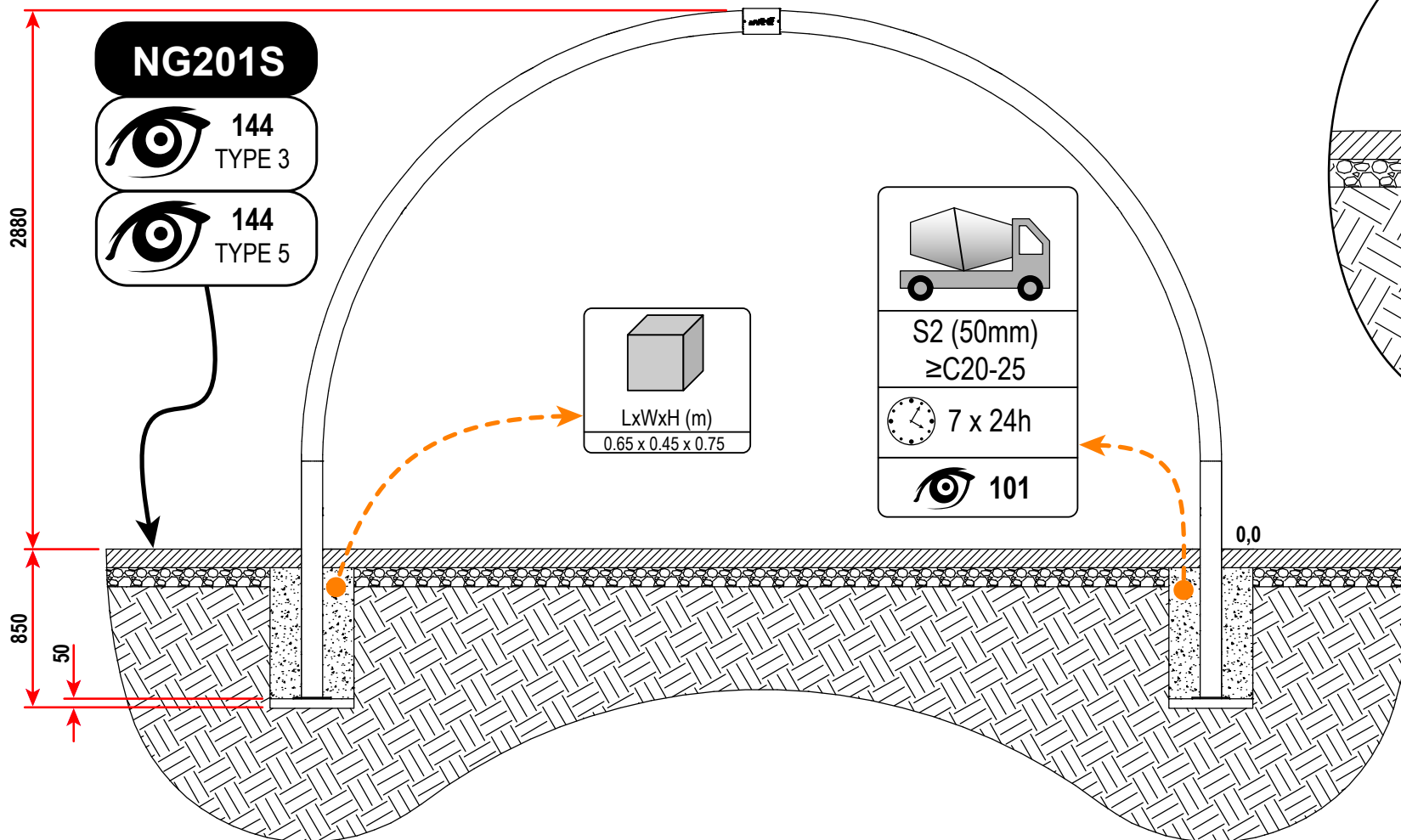
7 x 24h

101

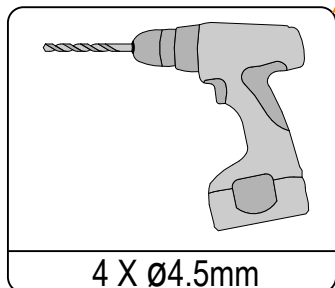
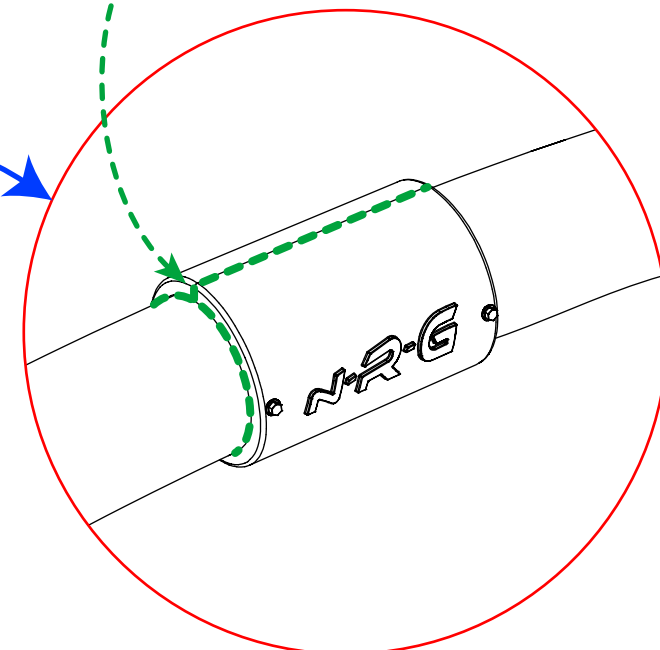
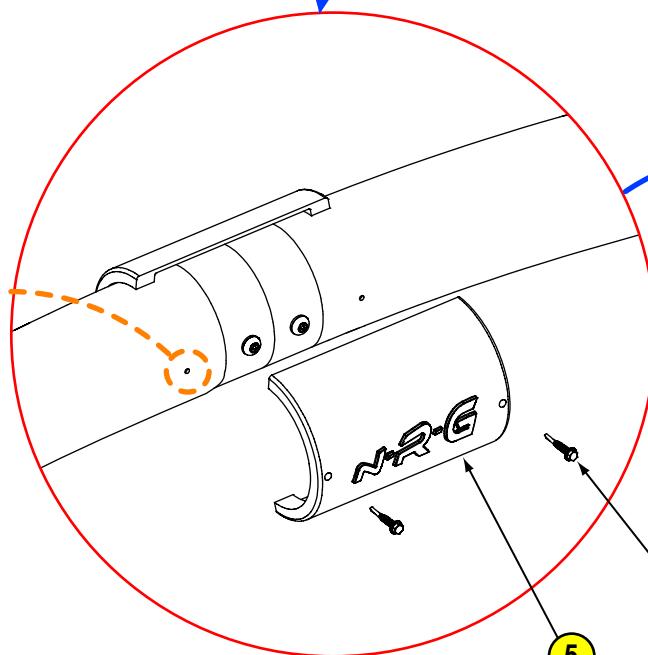
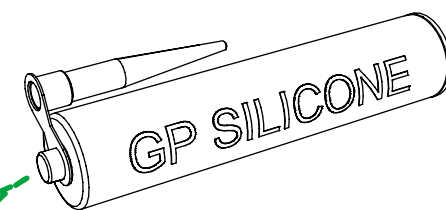
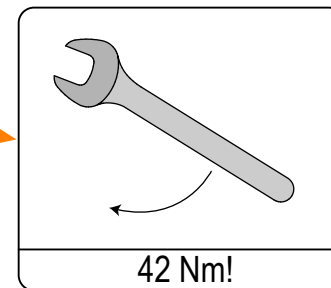
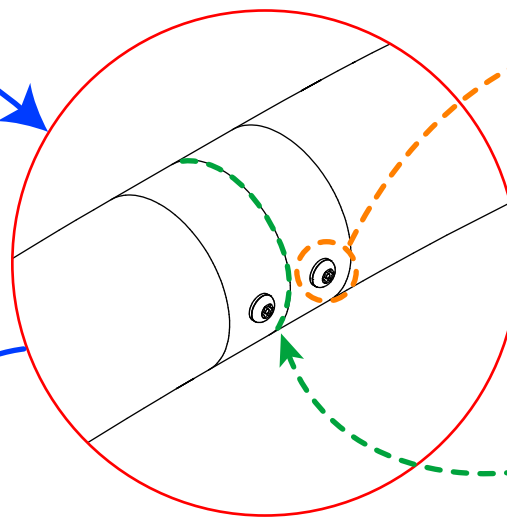
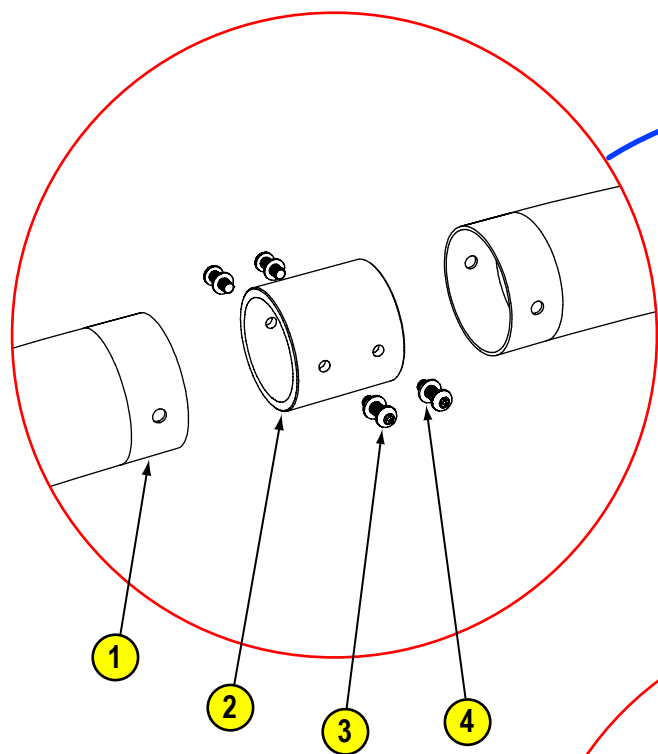
- GB - Protect from concrete
- FR - Protéger contre le beton
- DE - Schutz vom Beton
- IT - Proteggere dal cemento
- ES - Proteger contra el hormigón
- SE - Skyddas mot betong



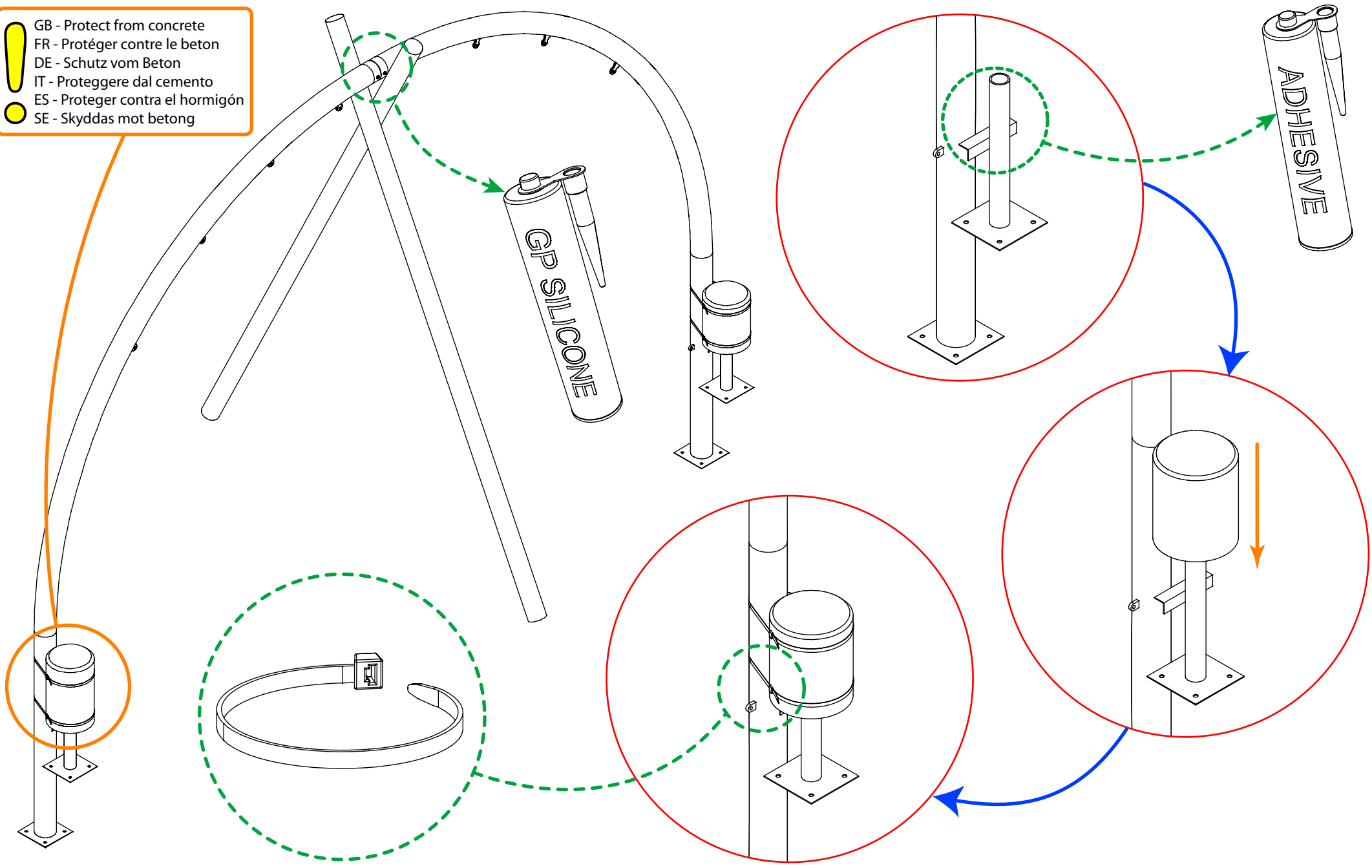
m³
0.44

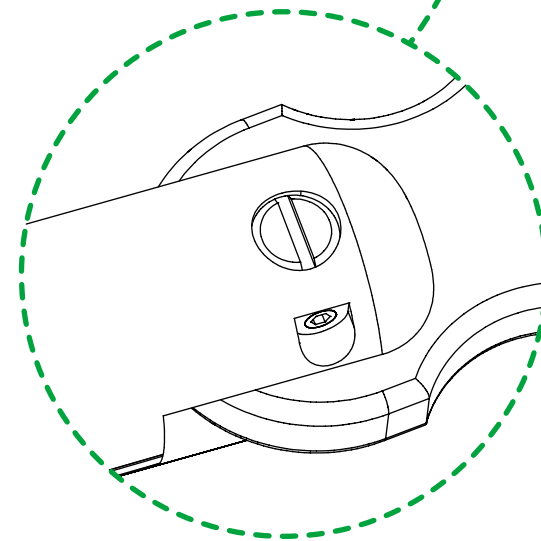
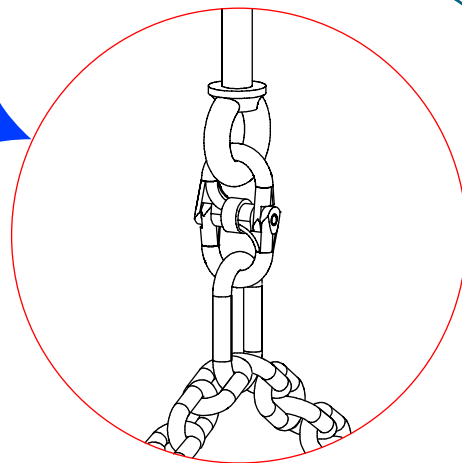
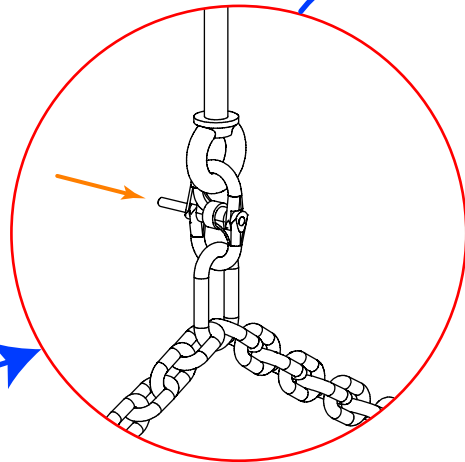
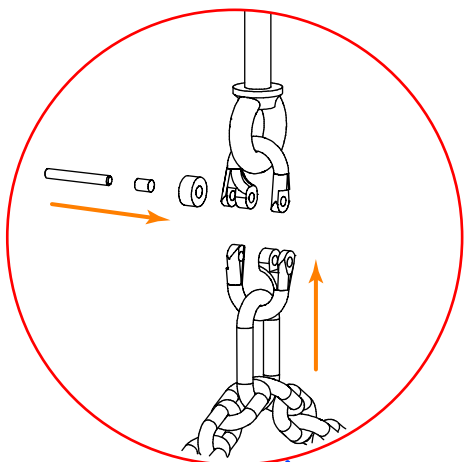
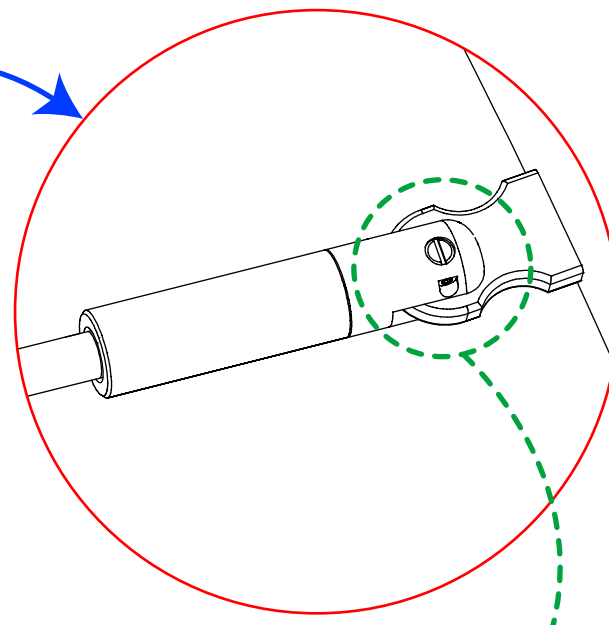
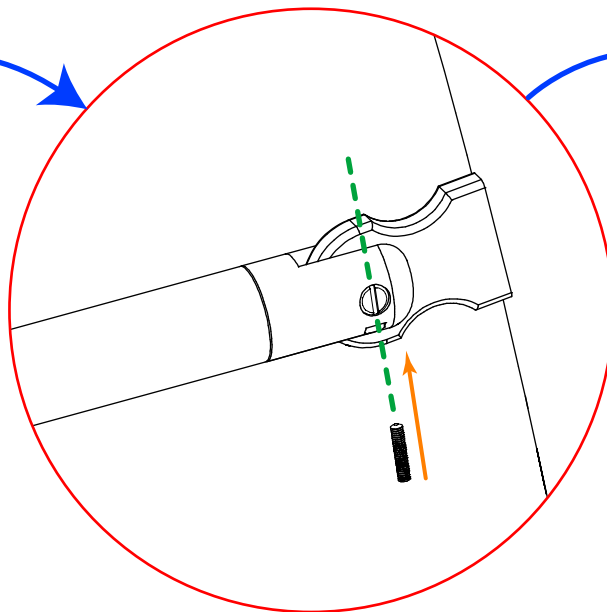
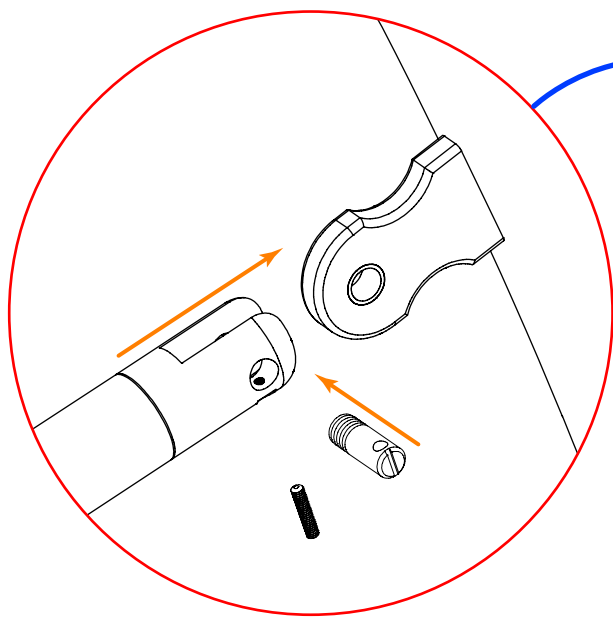


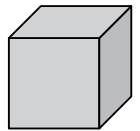
- ! GB - Protect from concrete
- FR - Protéger contre le beton
- DE - Schutz vom Beton
- IT - Proteggere dal cemento
- ES - Proteger contra el hormigón
- SE - Skyddas mot betong



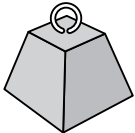
- ! GB - Protect from concrete
- FR - Protéger contre le béton
- DE - Schutz vom Beton
- IT - Proteggere dal cemento
- ES - Proteger contra el hormigón
- SE - Skyddas mot betong








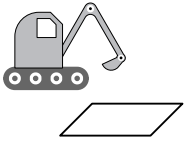
LxWxH (m)
5.05 x 0.62 x 2.88




kg
197



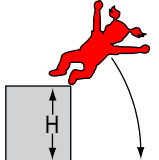
m³
0.50



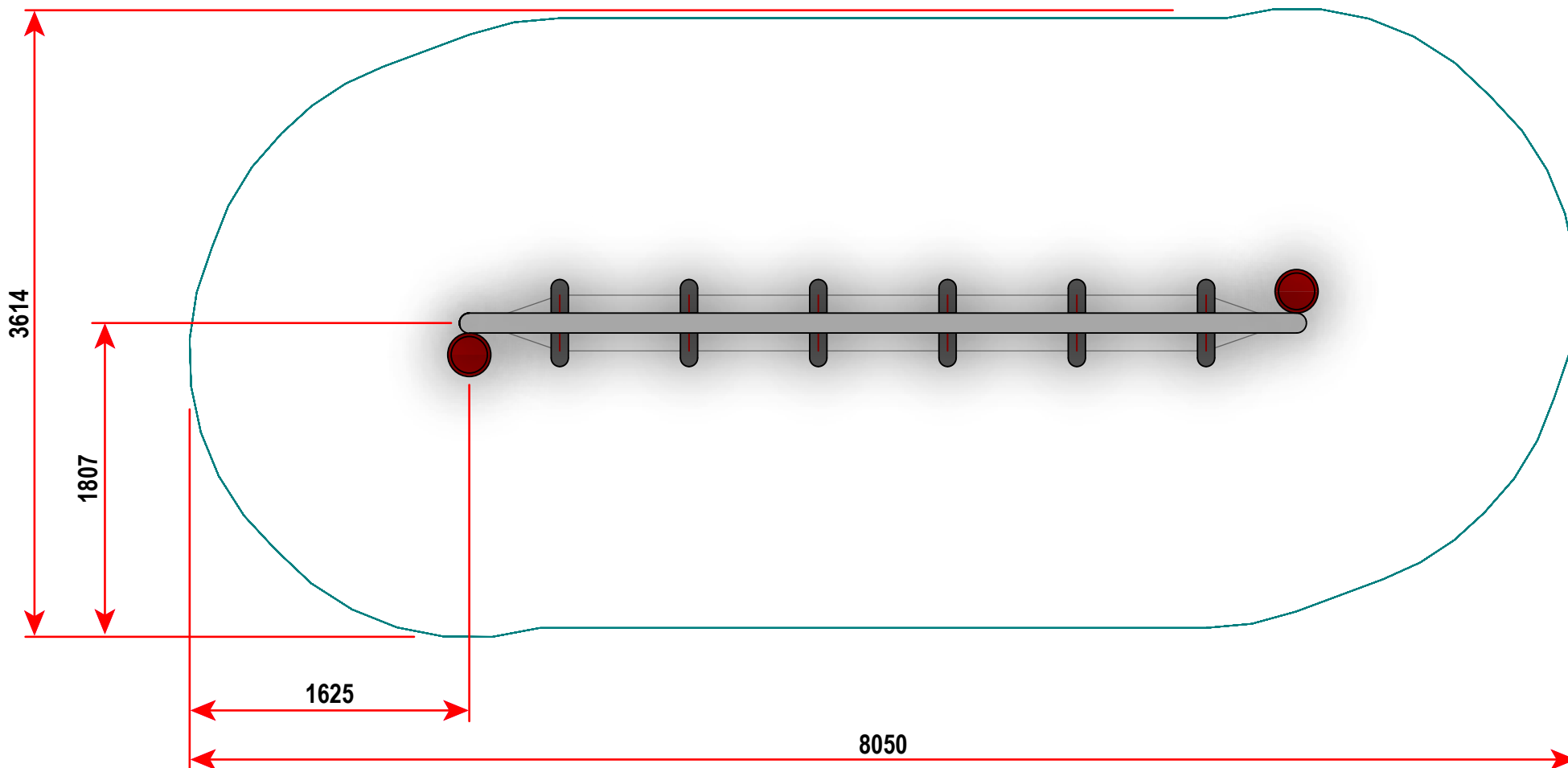
m²
10 x 10




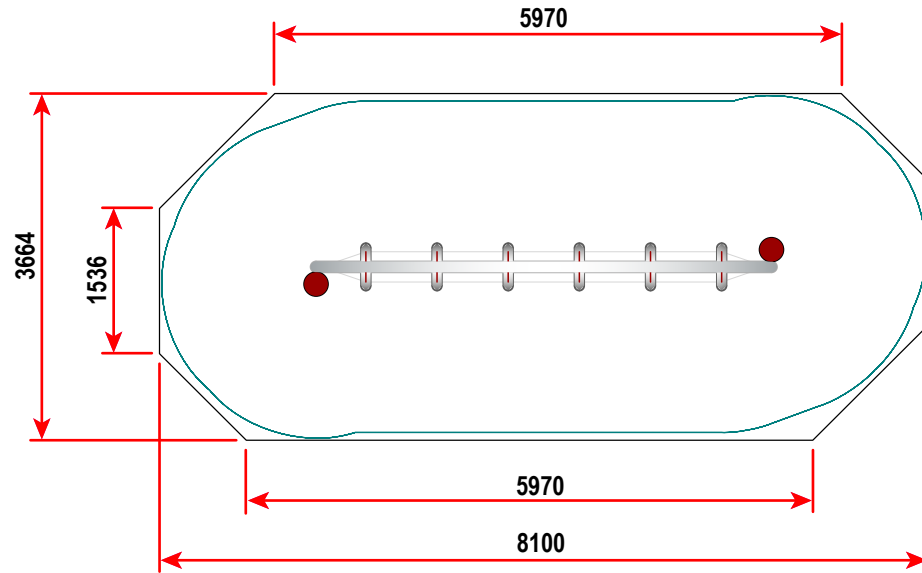
X 2 = T
T = 8 hr



EN1176
H=0.6m



 **144**
TYPE 5
Grassmat



 **144**
TYPE 3
Synthetic

